

KD Utility Cart

Models BC340KD – KD Large Utility Cart
 BC331KD – KD Small Service Cart

Project _____

Item No. _____

Model No. _____

Quantity _____



Features & Benefits

- Sturdy, strong and durable, these carts are designed for back and front of house transport needs and applications.
- Use to store equipment and supplies, deliver room service or tear down a banquet room. Versatile solutions move easily from table set-up to bussing service, delivering prepared foods to food bars, coffee service, or transporting catering supplies off the delivery truck.
- Each cart includes two ergonomic handles embedded with Camguard Antimicrobial.
- Each BC340KD shelf holds one full size dish rack or 2 each standard size bus boxes.
- Load capacity – BC340KD: 181 kg, BC331KD: 136 kg.
- Three each polypropylene shelves are durable, stain resistant and easy to clean plus lightly textured to reduce sliding. Each shelf holds one full size dish rack or two standard size bus boxes.
- Raised marine rails around each shelf prevent items from slipping off.
- Generous 30 cm open spacing between shelves speeds up loading and unloading.
- Aluminum uprights between shelves ensure optimum sturdiness and stability and are rust-resistant.
- Four non-marking, powder coated steel, swivel casters without brake are durable and strong and offer quiet, easy transportation. BC340KD: 12,7 cm, BC331KD: 10 cm.
- Ships "knockdown" to minimize shipping costs.
- Easy to assemble. Directions included with each cart. Use the included plastic mallet only.
- Available in two colors, Speckled Gray (480) and Black (110).
- Optional accessories include Single Shelf Panel Set, a removable 30,3 L Trash Container and 9,5 L Silverware Holder. Shelf panels must be added at time of assembly.



BC340KD



BC331KD



9,5 L
Silverware Holder

30,3 L
Trash Container



BC340KD Shown with
Optional Shelf Panel Sets

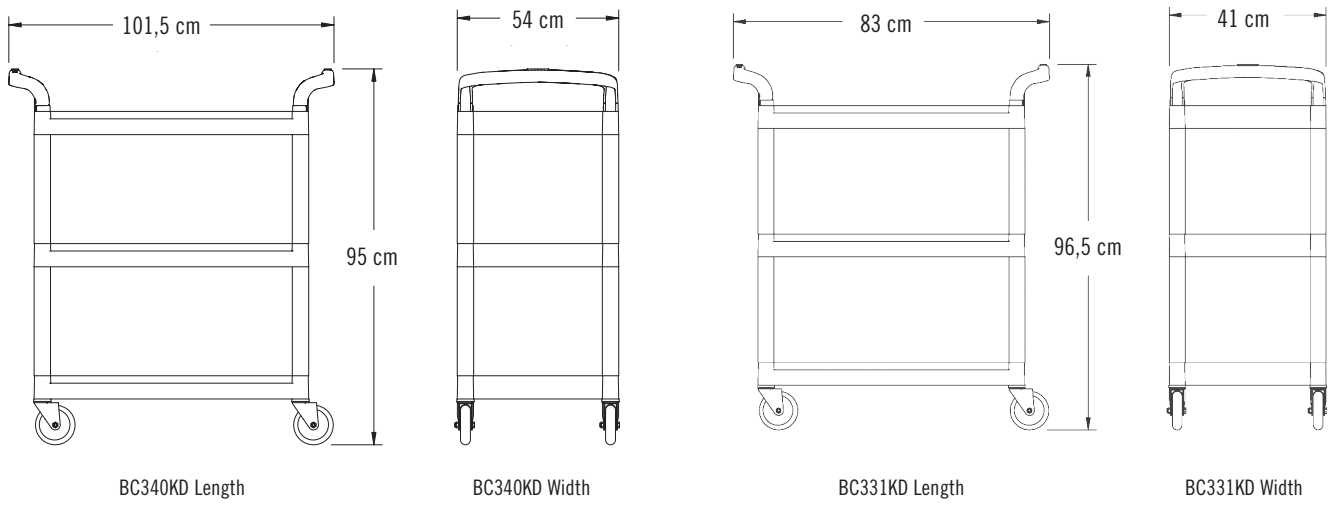


BC331KD Shown with One Handle,
Silverware Holder and Trash Container
(Plugs are used in place of other handle)

KD Utility Cart

Models BC340KD – KD Large Utility Cart
BC331KD – KD Small Service Cart

Project _____
 Item No. _____
 Model No. _____
 Quantity _____



Specifications		Dimension Tolerance: +/- 0,64 cm			
Code	Description	Load Capacity	Inside Shelf Dimensions L x W x H*	Exterior Dimensions L x W x H (with both handles)	Case kg/m ³
BC340KD	KD Utility Cart - Open Sides	181 kg	80 x 52 x 29,8 cm	101,5 x 54 x 95 cm	17,7 (0,19)
BC331KD	Service Cart - Open Sides	136 kg	62 x 40 x 30 cm	83,5 x 41 x 96,5 cm	11,48 (0,133)

*Height is between shelves.

- | | |
|--|--|
| <h3>Optional Accessories</h3> <ul style="list-style-type: none"> <input type="checkbox"/> 30,3 L Trash Container <input type="checkbox"/> BC331KDTC <input type="checkbox"/> 9,5 L Silverware Holder <input type="checkbox"/> BC331KDSH <input type="checkbox"/> Single Shelf Panel <input type="checkbox"/> BC340KDP | <h3>Standard Cart and Shelf Panel Set Colors</h3> <ul style="list-style-type: none"> <input type="checkbox"/> Speckled Gray (480) <input type="checkbox"/> Black (110) <h3>Trash Container and Silverware Holder Color</h3> <ul style="list-style-type: none"> <input type="checkbox"/> Black (110) |
|--|--|

Architect Specs

The KD Utility Carts shall be Cambro Model BC340KD and BC331KD. They shall be constructed of polypropylene shelves and anodized aluminum shelf supports. They shall have two each polypropylene ergonomic handles embedded with Camguard Antimicrobial. They shall be able to transport up to BC340KD: 181 kg, BC331KD: 136 kg. Each shelf shall have a slip-resistant, textured surface and raised edges on all four sides to prevent contents from sliding off. They shall have open sides with generous 30 cm spacing between shelves to speed up loading and unloading. They shall have four each BC340KD: 12,7 cm, BC331KD: 10 cm powder coated steel, swivel casters, all without brake. They shall be available with an optional Single Shelf Panel Set in Speckled Gray (480) or Black (110), an 30,3 L Trash Container and a 9,5 L Silverware Holder, both available in Black (110) only. They shall require assembly and shall be available in 2 colors.

Information and specifications are subject to change without notice. Please confirm at time of order.



CAMBRO U.S.A. TEL: 1(714) 848-1555 FAX: 1(714) 230-4375 international@cambro.com	CAMBRO EUROPEAN LOGISTICS TEL: (49) 7022 90 100 0 FAX: (49) 7022 90 100 19 cambroeuropa@cambro.com	CAMBRO UK TEL: 0800 587 0057 Toll Free FAX: 0845 280 3411 cambrouk@cambro.com	CAMBRO IRELAND TEL: 1800 509 046 Toll Free FAX: 01 633 55 76 cambroireland@cambro.com
--	--	---	---