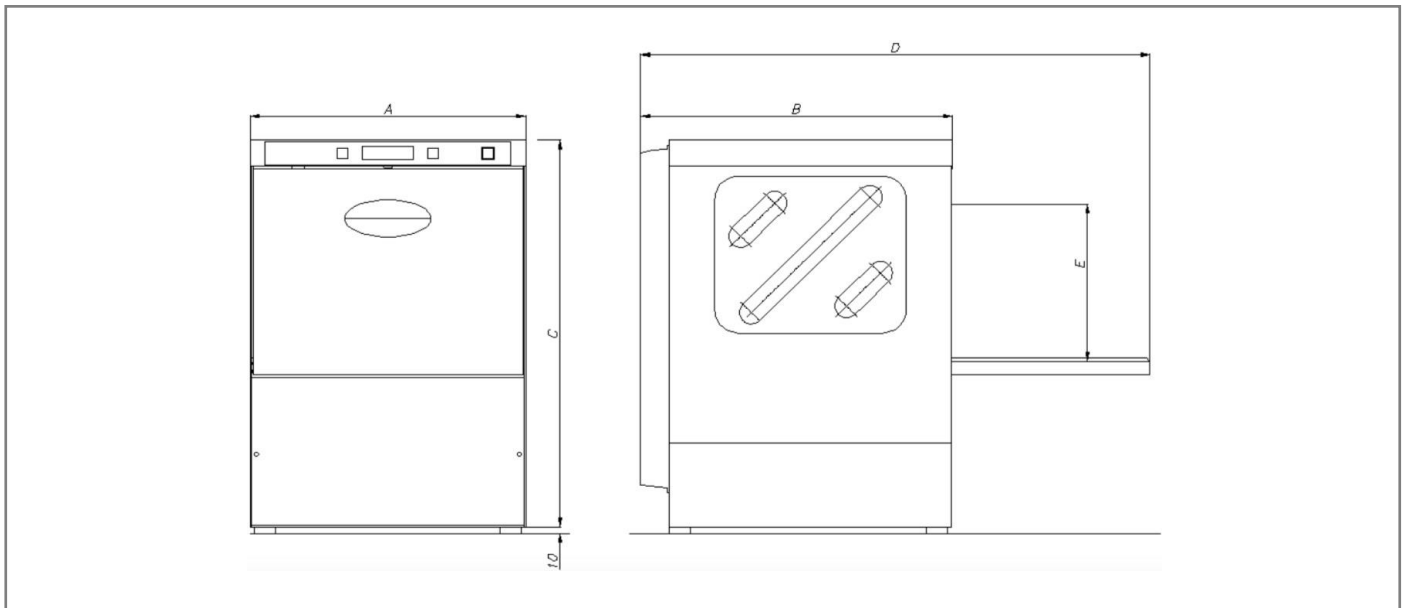


TF45-R - Undercounter dishwasher

ThermoCare



Technical features

External size	600x600x825 (AxBxC) mm
Overall size	1040 (D) mm
Clearance	400 (E) mm
Rack size	500x500 mm
Tank size	10 l
Rinse water consumption	7,5 l
Wash pump	0,70 kW
Tank heater element	2,00 kW
Booster heater element	7,00 kW
Installed load	9,70 kW
«Xpress Care» cycle (A0 = 60)	180"
«Care» cycle (A0 = 60)	300"
«Extra Care» cycle (A0 = 300)	660"
«ThermoLabel» cycle (A0 = 300)	180"
Noise	61 dB(A)
Weight	71 kg
Control panel	DIGITAL
Wash arm	INOX
Rinse arm	INOX
Detergent injector	Standard
Rinse aid injector	Standard
Sanitizing injector	Optional
Air gap	Standard
Heat recovery system	-
Drain pump	Standard
Electrical supply	400V/3N/50Hz