



Project Distribution Ltd
 Unit 1 Sun Street, Stoke on Trent ST1 4JW
 Tel:01782 280289 Fax: 01782 215955
 www.prodis.co.uk sales@project-distribution.co.uk

Project

Location

Item#

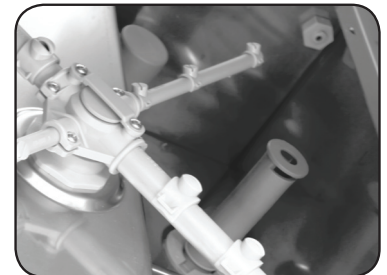
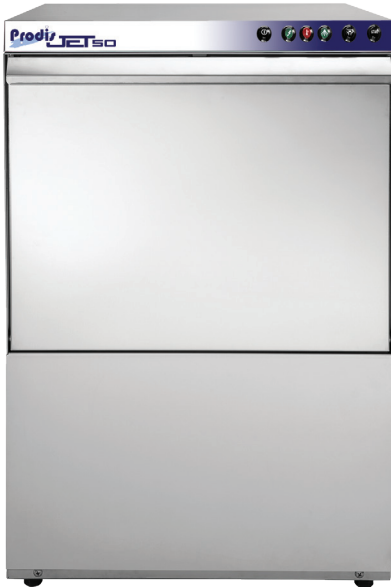
QTY

Model:
JET50P

Glasswasher Under Counter
 500mm basket, automatic drain pump

General Information

The Prodis JET50P 500mm basket automatic drain glasswasher with automatic rinseaid and detergent injectors, fixed wash and rinse thermostats and a 2 minute wash cycle.



Key Features

Construction

Available Options

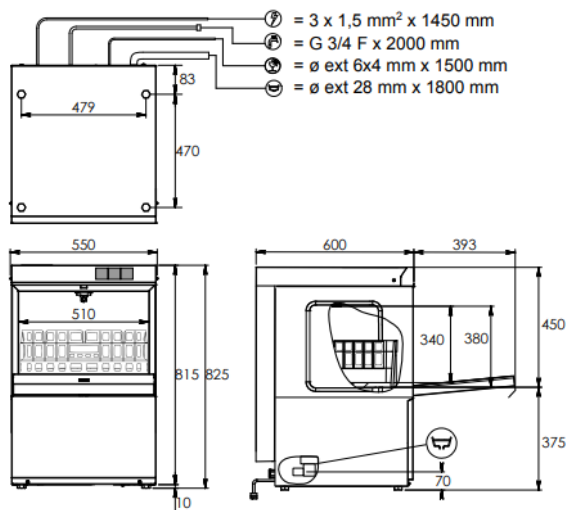
- 2 minute wash cycle
- 13amp for easy installation
- Timed rinseaid pump
- Timed detergent pump
- Wash and rinse tank elements
- 60°C fixed wash tank thermostat
- 80°C fixed rinse tank thermostat
- Compact design
- Simple operation
- Adjustable feet
- Stainless steel wash pump filter

- 304 stainless steel exterior
- 304 stainless steel interior
- Double skinned door

- Manual water softener
- Rinse boost pump
- Multifit stand
- Double check valve

Technical Data

Model	JET50P
External Dimensions	Width = 550 Depth = 600 Height = 825
Wash Cycle	2 minute
Basket size	500 x 500mm
Internal clearance / Maximum loading height	340mm
Automatic rinseaid injector	✓
Automatic detergent injector	✓
Wash tank temperature	60°C
Rinse tank temperature	80°C
Rinse tank heating element	2500w
Wash tank heating element	500w
Total power supply	2800w
Wash pump capacity	120 litres per minute
Wash tank capacity	12 litres
Rinse tank capacity	3 litres
Water inlet	3/4 BSP
Drain outlet	28mm
Drain system	Drain pump
Weight	44kg



Approvals	Available At	Document #
 