



Project Distribution Ltd  
Unit 1 Sun Street, Stoke on Trent ST1 4JW  
Tel:01782 280289 Fax: 01782 215955  
www.prodis.co.uk sales@project-distribution.co.uk

Project

Location

Item#

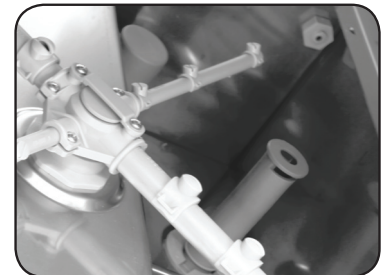
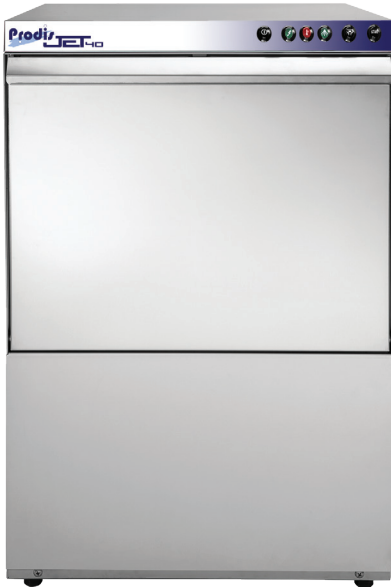
QTY

Model:  
JET40

Glasswasher Under Counter  
400mm basket, gravity drain

## General Information

The Prodis JET40 400mm basket gravity drain glasswasher with automatic rinseaid and detergent injectors, fixed wash and rinse thermostats and a 2 minute wash cycle.



## Key Features

- 2 minute wash cycle
- 13amp for easy installation
- Timed rinseaid pump
- Timed detergent pump
- Wash and rinse tank elements
- 60°C fixed wash tank thermostat
- 80°C fixed rinse tank thermostat
- Compact design
- Simple operation
- Adjustable feet
- Wash pump filter

## Construction

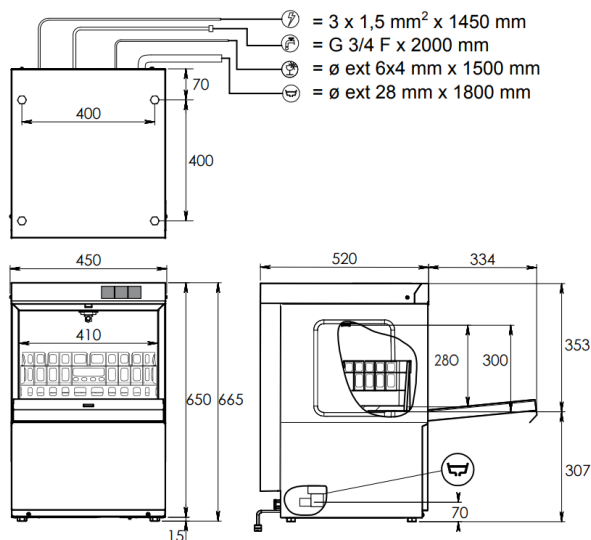
- 304 stainless steel exterior
- 304 stainless steel interior
- Double skinned door

## Available Options

- Manual water softener
- Rinse boost pump
- Multifit stand
- Double check valve

## Technical Data

Model	JET40
External Dimensions	Width = 450 Depth = 520 Height = 665
Wash Cycle	2 minute
Basket size	400 x 400mm
Internal clearance / Maximum loading height	280mm
Automatic rinseaid injector	✓
Automatic detergent injector	✓
Wash tank temperature	60°C
Rinse tank temperature	80°C
Rinse tank heating element	2500w
Wash tank heating element	500w
Total power supply	2800w
Wash pump capacity	120 litres per minute
Wash tank capacity	8.5 litres
Rinse tank capacity	3 litres
Water inlet	3/4 BSP
Drain outlet	28mm
Drain system	Gravity
Weight	35kg



Approvals

Available At

Document #

