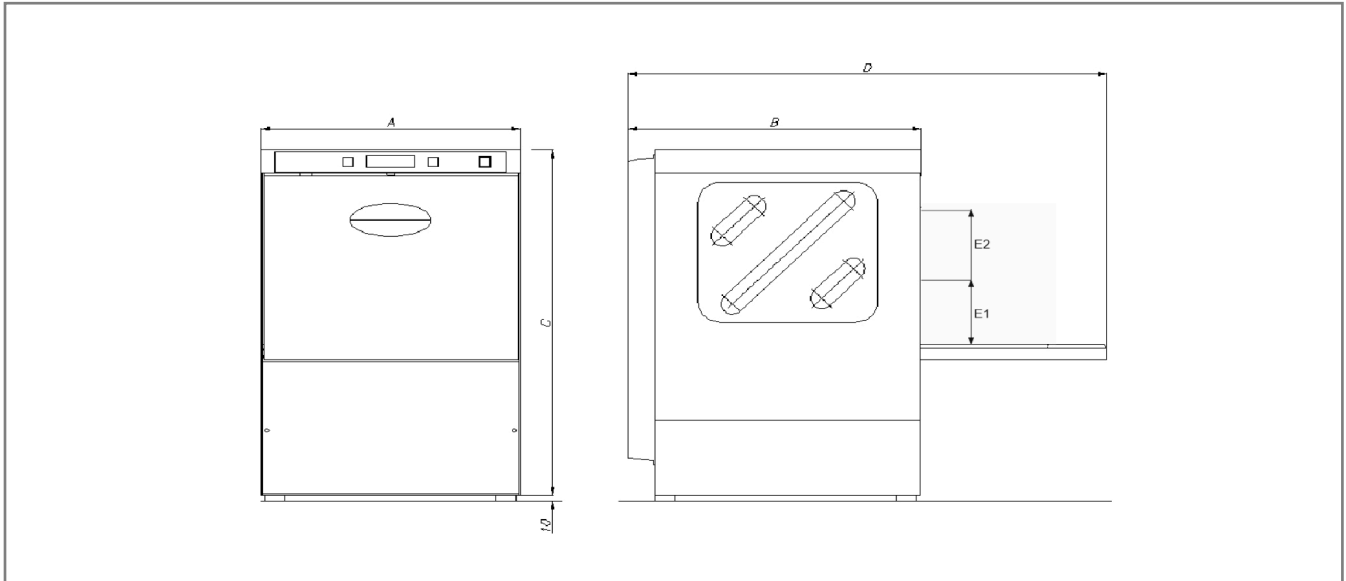


PF45 R - Undercounter dishwasher



Technical features

External size	600x605x820 (AxBxC) mm
Overall size	1015 (D) mm
Clearance	360 (E) mm
Rack size	500x500 mm
Tank size	21 l
Rinse water consumption	2,5 l
Wash pump	0,45 kW
Tank heater element	2,00 kW
Booster heater element	5,00 kW
Installed load	5,45 kW
Short cycle	90"
Output (racks/h)	40
Long cycle	240"
Electrical supply	230V/50Hz; 230V/3/50Hz; 415V/3N/50Hz
Noise	63 dB(A)
Weight	58 kg
Control panel	DIGITAL
Wash arm	WRIS2+
Rinse arm	WRIS2+
Detergent injector	Standard
Rinse aid injector	Standard
Sanitizing injector	Optional
Air gap	Standard
Water softener	PF45-RA
Reverse osmosis	Optional External
Heat recovery system	-
Drain pump	Standard