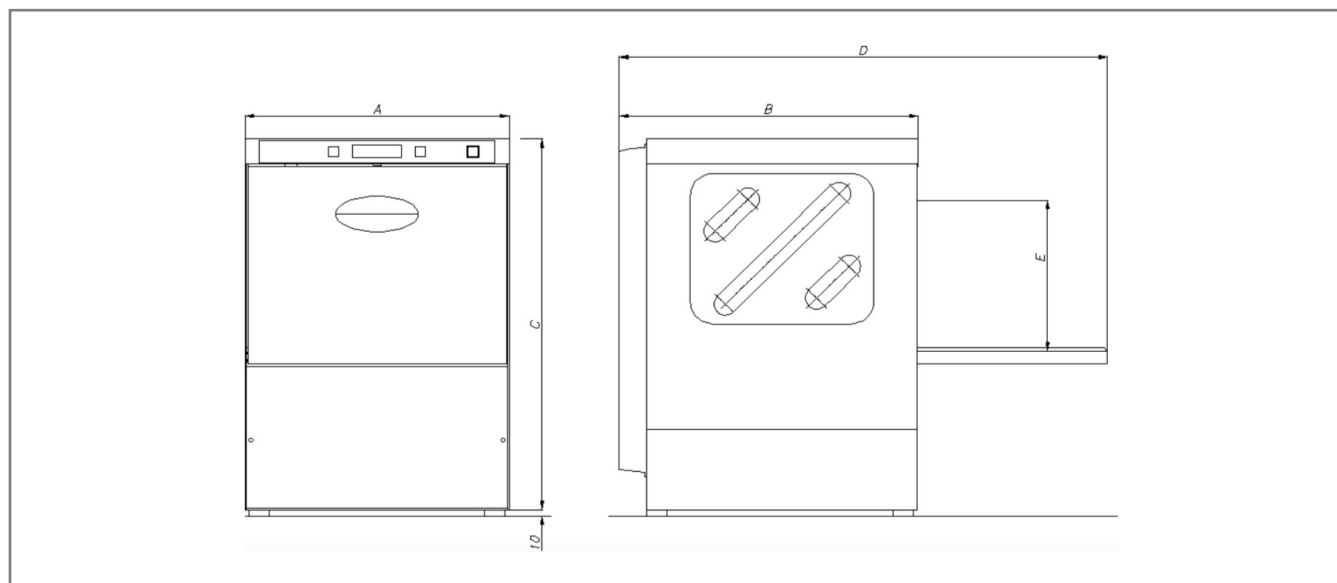


PB34 - Glasswasher



Technical features

External size	460x621x673 (AxBxC) mm
Overall size	851 (D) mm
Clearance	280 (E) mm
Rack size	400x400 mm
Tank size	12 l
Rinse water consumption	2,5 l
Wash pump	0,26 kW
Tank heater element	2,00 kW
Booster heater element	2,00 kW
Installed load	2,40 kW
Short cycle	90"
Output (racks/h)	40
Long cycle	240"
Electrical supply	230V/50Hz
Noise	61 dB(A)
Weight	37 kg
Control panel	DIGITAL
Wash arm	WRIS2+
Rinse arm	WRIS2+
Detergent injector	Standard
Rinse aid injector	Standard
Sanitizing injector	Optional
Air gap	-
Water softener	PB34-A
Reverse osmosis	-
Heat recovery system	-
Drain pump	Optional