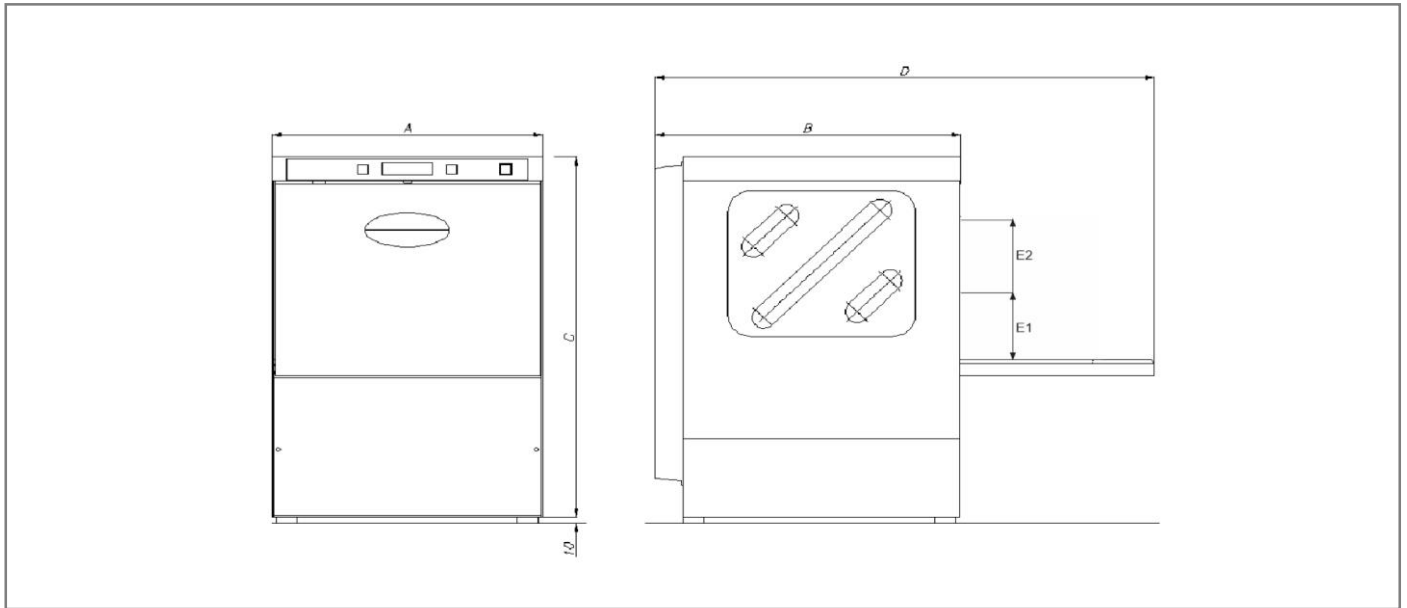


## HF45-R - Undercounter dishwasher



### Technical features

External size .....	600x600x825 (AxBxC) mm
Overall size .....	1040 (D) mm
Clearance .....	400 (E) mm
Rack size .....	500x500 mm
Tank size .....	10 l
Rinse water consumption .....	2,5 l
Wash pump .....	0,70 kW
Tank heater element .....	1,00 kW
Booster heater element .....	5,00 kW
Installed load .....	5,70 kW
Short cycle .....	90"
Output (racks/h) .....	40
Long cycle .....	240"
Electrical supply .....	230V/50Hz; 230V/3/50Hz; 400V/3N/50Hz
Noise .....	61 dB(A)
Weight .....	71 kg
Control panel .....	TOUCH SCREEN
Wash arm .....	WRIS2+
Rinse arm .....	WRIS2+
Detergent injector .....	Standard
Rinse aid injector .....	Standard
Sanitizing injector .....	Optional
Air gap .....	Standard
Water softener .....	HF45-RA
Reverse osmosis .....	-
Heat recovery system .....	-
Drain pump .....	Standard