



Project _____
 Item _____
 Quantity _____
 CSI Section 11400
 Approved _____
 Date _____



Merrychef MicroMD

Model: **MD180017LUK, MD180017LEU**



Standard Features

- Compact and durable design for commercial operations
- Fits a 305mm platter (12")
- USB memory stick data transfer for easy consistent menu customisation
- Easy plug and play operation
- 17L capacity
- Cool-to-touch exterior
- Braille supported control panel
- Stackable (Two high)
- Stainless steel interior and exterior
- 1800 Watts of cooking power
- Top and bottom microwave distribution
- 60:00 mins maximum cooking time and 100 auto programs
- Time entry and multiple quantity option provides flexibility
- Very easy to clean, removable splatter shield and stainless steel front air intake for easy cleaning
- LED Interior light and end of cook signal

Control panel

- | | | |
|-----------------------------|---------------------------------|------------------------------|
| 1 Defrost button | 4 Time entry button | 7 Number buttons |
| 2 USB buttons | 5 Double quantity button | 8 Stop / reset button |
| 3 Power level button | 6 Triple quantity button | 9 Start button |

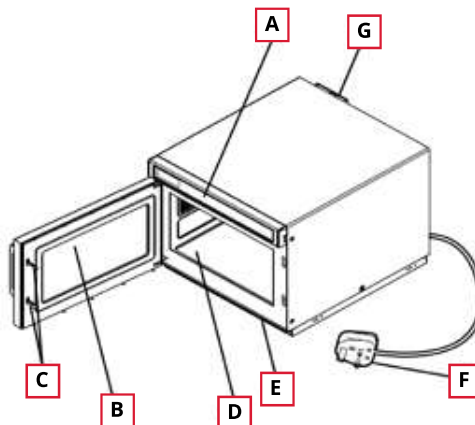


Specifications

The Merrychef MicroMD is the perfect choice for anyone who wants to complement their existing Merrychef oven with an additional resource to improve efficiency in a commercial kitchen.

The Merrychef MicroMD is ideal for quick, basic food reheats, particularly from frozen.

One standard Merrychef MicroMD unit runs off a standard domestic 13A/16A supply.



- A** Control panel
- B** Observation window
- C** Safety interlock system
- D** Ceramic board
- E** Filter
- F** Plug
- G** Ventilation

HOW IT WORKS

Dual microwave distribution, top and bottom for even distribution and heating.



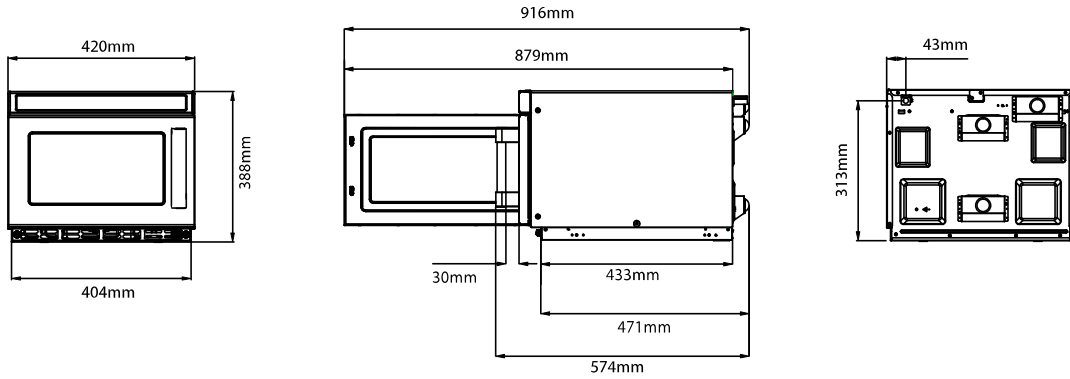


CONSTRUCTION

- Stainless steel interior cavity and exterior casework

MICROWAVE POWER

- Microwave settings, 11 power levels, and 3 cooking stages
- Preprogrammed defrost mode



DIMENSIONS

MODEL	OVERALL SIZE			NET WEIGHT	CAPACITY
	HEIGHT	WIDTH	DEPTH		
MicroMD	340mm (13 3/8")	420mm (16 1/2")	563mm (22 1/8")	NET 30kg (66.1lbs) GROSS 32kg (70.5lbs)	17L (0.6 cu.ft)

CAVITY DIMENSIONS

MODEL	CAVITY SIZE		
	HEIGHT	WIDTH	DEPTH
MicroMD	175mm (6 7/8")	330mm (13")	310mm (12 1/4")

POWER REQUIREMENTS & OUTPUT

ELECTRICAL SUPPLY						POWER OUTPUT (APPROX.)
Country / Region	Voltage	Arrangement	Plug Type	Plug Current Rating per Phase*	Max. Power Input	Microwave** (IEC 705) 100%
UK	1n-240 V 50 Hz	Single Phase	L+N+E	13A	2800 W	1800 W
EU	1n-240 V 50 Hz	Single Phase	L+N+E	16A	2800 W	1800 W

*This is not consumption. **This is approx. microwave power output.

Merrychef MicroMD

Welbilt reserves the right to make changes to the design or specifications without prior notice.

Welbilt UK Limited,
Ashbourne House, The Guildway
Old Portsmouth Road,
Guildford, GU3 1LR,
United Kingdom

Email: Merrychef.marketing@welbilt.com
Tel: 00 44 1483 464 900

www.merrychef.com
© 2020 Merrychef U.K.

