



Under counter

Shallow drawer + cover top



Applications

- Bulk storage right at the point of use
- Range of finished height units available, to suit a wide variety of spaces in the kitchen
- Unique patented Low Velocity Cooling keeps food fresher for longer

Storage Capacity

Gastronorm (GN) Pans
4 x 1/1 GN
75 mm Deep
or equivalent (per Drawer)

Maximum Weight
30 kg of Food (per Drawer)

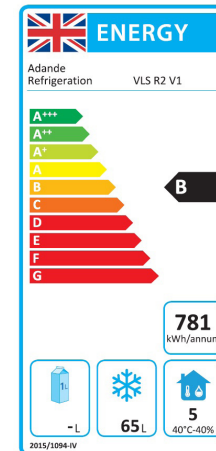
Volume
65 Litres (per Drawer)

Hydrocarbon R600a Refrigerant

Shallow drawer

'B' Energy Rating
in Freezer Mode

'A' Energy Rating
in Fridge Mode
(Consumption 325
kWh/annum)



Climate Testing

Tested to **Climate Class 4**
(30°C & 55% relative humidity)
for temperature and energy
consumption and to **Climate
Class 5** (40°C & 40% relative
humidity) for temperature

Electrical

Mains Supply
230 Vac 50 Hz

Power Socket (included)
Correct 2 or 3 Pin Plug
fitted for each country

Mains Lead (included)
2 Metre Coiled Lead





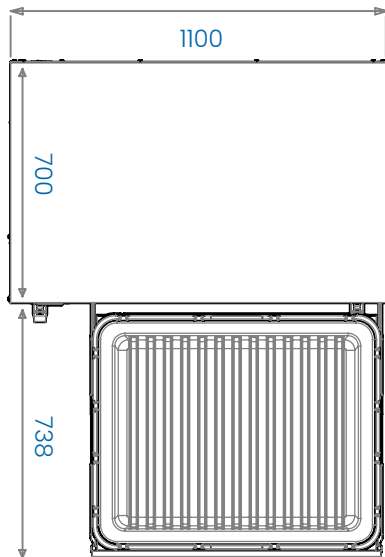
Options

UNDER COUNTER + COVER TOP (T)	High castor base (HC)		Standard castor base (C)		Small castor base (SC)		Rollers & feet base (R)		Small rollers & feet base (SR)		Fixed frame base (FF)		Mobile frame base (MF)	
Finished height	507 mm	VLSI/HCT	436 mm	VLSI/CT	415 mm	VLSI/SCT	391 mm	VLSI/RT	381 mm	VLSI/SRT	540-900 mm	VLSI/FFT	540-900 mm	VLSI/MFT
Load-bearing capacity	0 kg		0 kg		0 kg		0 kg		0 kg		0 kg		0 kg	

For full options please see our [Drawer Customising](#) and [Accessories](#) pages

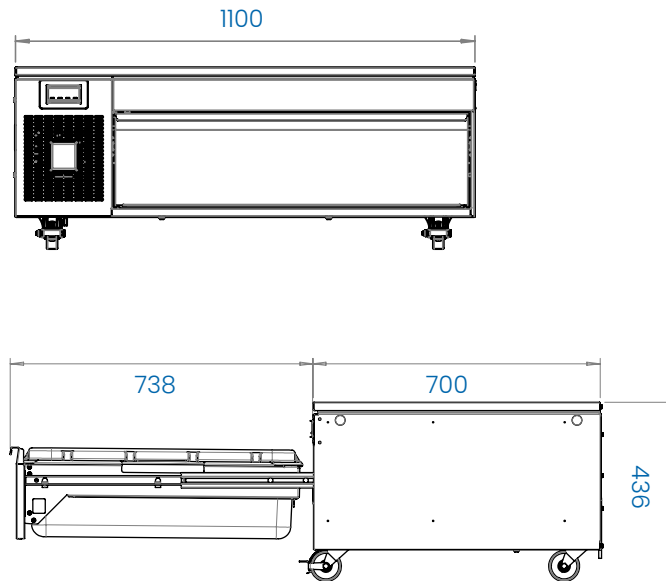
Plan View

Under counter (VLSI)
With open drawer



Elevation

Under counter
Shallow drawer (VLSI)
Standard castors (C)
Cover top (T)
VLSI/CT



Tops



Drawer Module



Base

