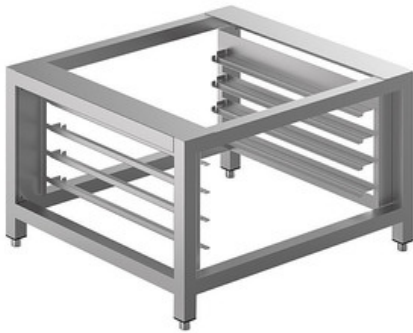


TVL425D

Tables, Suitable for: ALFA420 and ALFA410 series



TYPE

Family: Professional oven accessories • Type: Oven support frame - 4 trays • Subfamily: Tables • Width: 800 mm • Product depth: 800 mm • Product height: 504 mm • Suitable for: ALFA1035 series; Stacked ALFA420 series • Suitable for: ALFA420 and ALFA410 series

AESTHETICS

CONSTRUCTION

Material: Stainless steel

