

ALFA625E1HDS

Convection oven with humidification, Electronic, 6 trays EN 600x400 mm or GN1/1, Adjustable fan speed: Double speed fan, Program storage with application: Yes with ALFA ovens app



TARGET

Suggested for: Bakery • Solutions: Coffee shops/Wine bars; Hotels; Restaurants/Pubs; Bakery/Pastry making; Frozen bakery industry; Food retail

TYPE

Family: Ovens • Subfamily: Convection oven 4 trays 600x400 mm o GN1/1 • Oven type: Convection oven with humidification • Oven control: Electronic • Trays capacity: 6 trays EN 600x400 mm or GN1/1 • Power supply: 400 V 3N~/ 27A / 11 kW / 50-60 Hz • Steam generation: Direct • Width: 798 mm • Program storage with application: Yes with ALFA ovens app • Depth: 757 mm • Height: 793 mm • Maximum depth with open door: 1521 mm • Adjustable feet: Yes

AESTHETICS

Colour: Stainless steel • Door with stainless steel stripes: Yes • Display type: Digital TFT • Digit display color: White • Front panel: Yes

PROGRAMME / FUNCTIONS

Backing functions: Convection, Convection with humidification, Core probe, Core probe + Δt • Adjustable fan speed: Double speed fan • HACCP data: Yes

CONTROLS

Storable programs number: 100 • Timer setting range: 1-60 minutes + endless • Cooking steps: 3 + pre-heating • Chimney regulation: Yes

OPTIONS

Right hand hinge: ALFA625E1HDSR • Combinable hood: K4610X (with connection kit KITPO45)

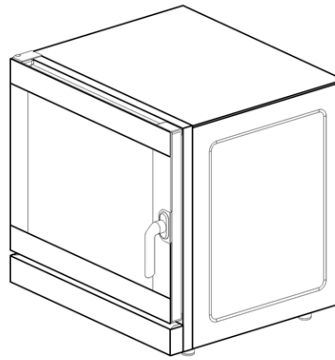
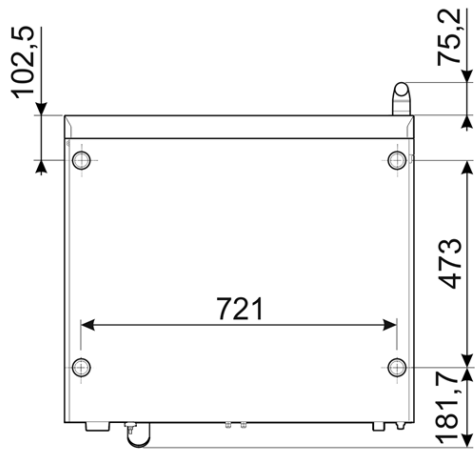
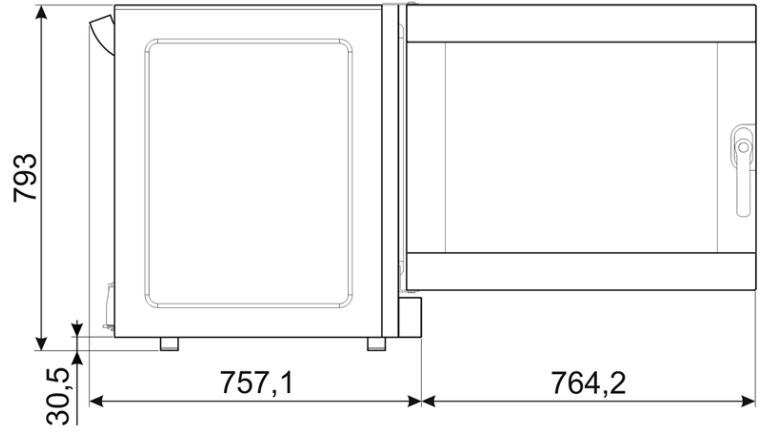
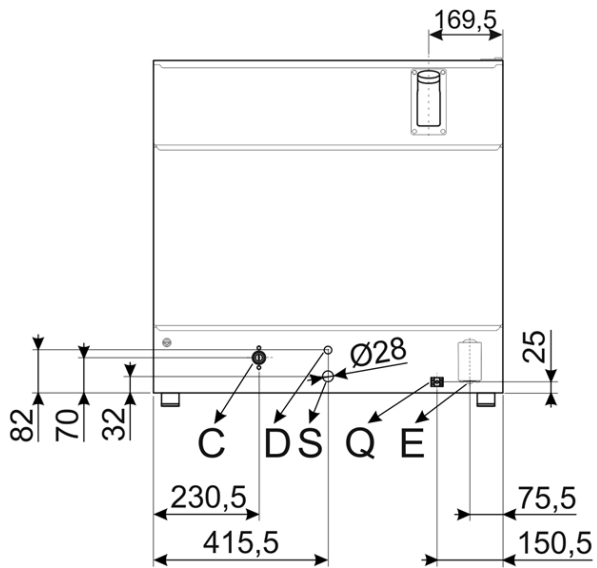
PERFORMANCE / ENERGY LABEL

CONSTRUCTION

Oven materials: Stainless steel / glass / plastics • Cavity dimensions (wxdxh): 672x437x546 mm • Internal net volume: 127,3 lt • Cavity material: Stainless steel AISI 304 • Shelves number: 6 • Tray frame support: Chromed wire • Shelves distance: 77 mm • Door construction: Double glass • Door opening: Lateral • Glass: With hinge • Fan type and number: 2 contrarotating with timed direction reversal • Fan motor power: 200W • Water injection on each fan: Yes • Humidification levels: 5 + manual • Exhaust position: Back • Timer type: Electrical • Temperature range: 50-280°C • Safety switch with open door: Yes • Predisposition for core probe: Yes • Light switch with open door: Yes • USB port: Yes • IPX protection: IPX3

OPTIONAL

RGN11-625-2: Other accessories, Suitable for: Convection ovens 600x400 mm - GN1/1SVRPP625: Other accessories, Suitable for: Convection ovens 600x400 mm - GN1/1KITSC: Suitable for: Convection ovens 600x400 mm - GN1/13927: Other accessories, Suitable for: Convection ovens 600x400 mm - GN1/13810: Trays and grids 600x400 - GN1/1, Suitable for: Convection ovens 600x400 mm - GN1/13805: Trays and grids 600x400 - GN1/1, Suitable for: Convection ovens 600x400 mm - GN1/13751: Trays and grids 600x400 - GN1/1, Suitable for: Convection ovens 600x400 mm - GN1/13743: Trays and grids 600x400 - GN1/1, Suitable for: Convection ovens 600x400 mm - GN1/1



| | |
|---|---|
| Q | MORSETTO EQUIPOTENZIALE EARTH TERMINAL |
| E | CAVO ALIMENTAZIONE ELETTRICA ELECTRICITY SUPPLY CABLE |
| C | TUBO DI CARICO FILLER HOSE |
| S | TUBO DI SCARICO (solo su alcuni modelli) DRAIN HOSE (on some models only) |
| D | TUBO DI CARICO PER DOCCETTA LAVAGGIO (solo su alcuni modelli) WATER SUPPLY MANUAL WASHING SYSTEM (on some models only) |