



# Instanta G2 InstaTap

Commercial Chilled 20 litre Matt Black

**FILTERED: CHILLED**



**1 font included:**



**Also available in:**



POLISHED STAINLESS

Product code: I2CC20

Actual product may vary slightly depending on functionality. The image shown is a representation only.

## Features and benefits

### Enhanced hygiene

Antimicrobial steritouch keypad that kills 99.9% of surface bacteria, perfect for maintaining hygiene.

### Smooth water flow

Dispenses a smooth water flow to minimise spluttering and steam.

### Advanced filtration

Features a taste and odour filter to ensure your water always tastes and smells at its best.

Model	Capacity	Chilled glasses per hr @ 200ml	Nominal power rating kW @ 230V	Command Centre dimensions W x D x H (mm)
I2CC20B	20 Litres - Chilled	180*	0.185 kW - Chilled	180 x 340 x 390

\*Temperature between 3 - 6 °C

## Product detail

---

### Specification type

---

Product code	I2CC20B
Product name	InstaTap G2 commercial chilled 20ltr matt black

---

### Capacity, weights & dimensions

---

Water functions	Chilled
Chilled capacity	180 Glasses per hour ( temperature setting 3-6 ° C)
Chilled Command centre dimension (W x D x H)	180mm x 340mm x 390mm
Chilled product weight	17kg

---

### Plumbing

---

Wholesome water inlet supply required	Cold Feed
Supply pressure range	2 - 5bar
Supply connection	1 x isolated 3/4" BSP BSP fitting (Install rail 15mm)
Installation	Must comply with current water supply regulations

---

### Electrical

---

Chilled Command centre rated voltage	230V AC 50Hz
Chilled Command centre power rating	0.185kW @ 230V
Voltage supply	13 amps fitted with UK standard 3 - pin plug
Power supply requirements	13amp socket outlet
Cable length	
Installation	Must comply with current IEEE regulations

---

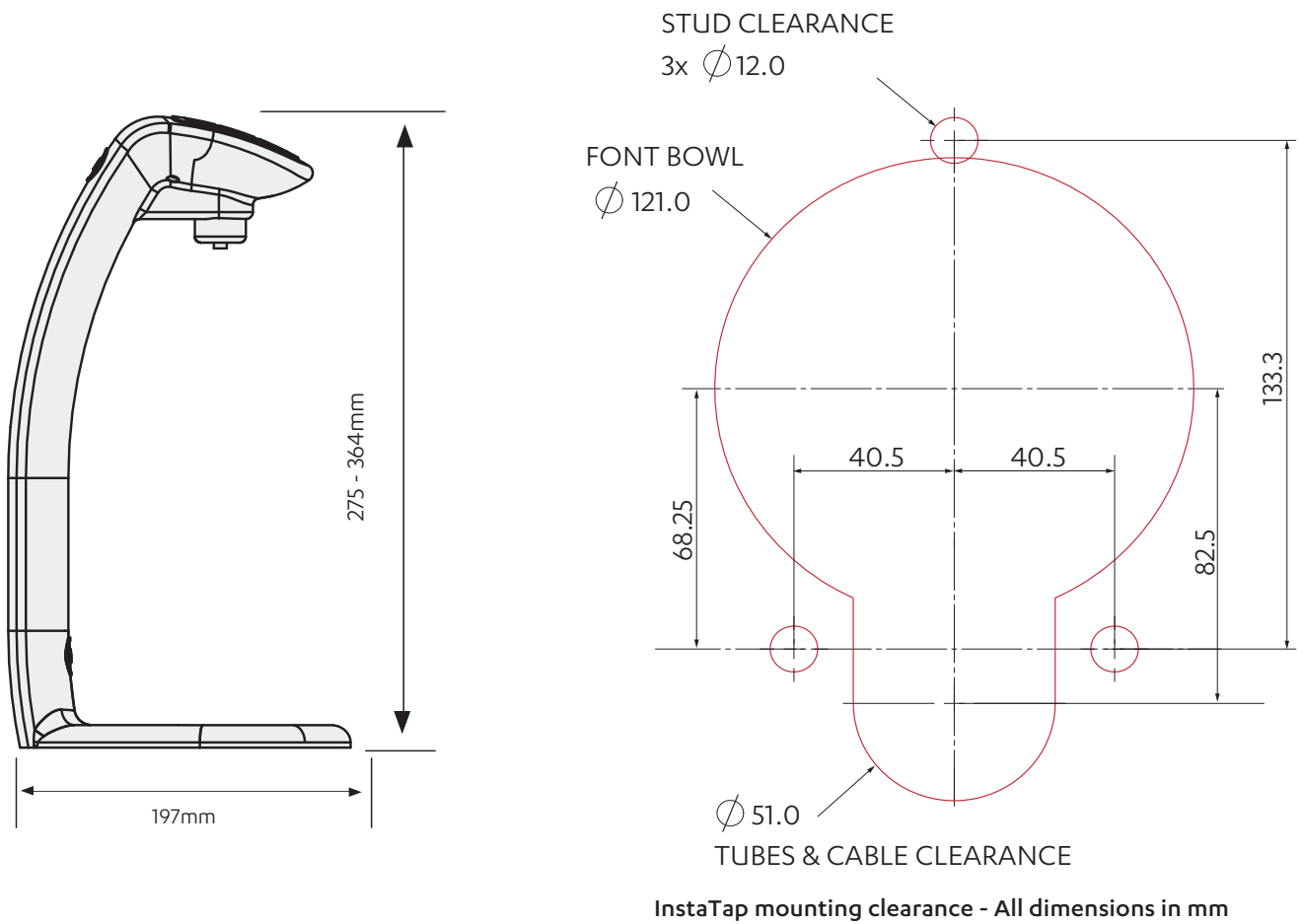
## Font

Style	Standard
Finish	Matt Black
Dimensions (W x D x H)	150mm x 197mm x 275mm
Tap font clearance	195mm
Disability options	No
Packed dimensions (W x D x H)	
Packed weight	4.6kg

## Chilled Command Centre

Chilled performance	Between 3 ° C and 6 ° C
Stand by power loss (Idle over 24hrs)	0.12 kW/h
Wholesome water supply requirements	Cold Feed
Filtration	Taste and Odour Filter Cartridge 3,750 ltrs
Tank material	Stainless steel
Packed Dimensions (W x D x H)	
Packed weight	

## Font installation



## Under-counter unit installation

Clearance space required  
for under counter unit

