

SEH104E

Ultra-rapid electric Salamander with mobile plate




Construction

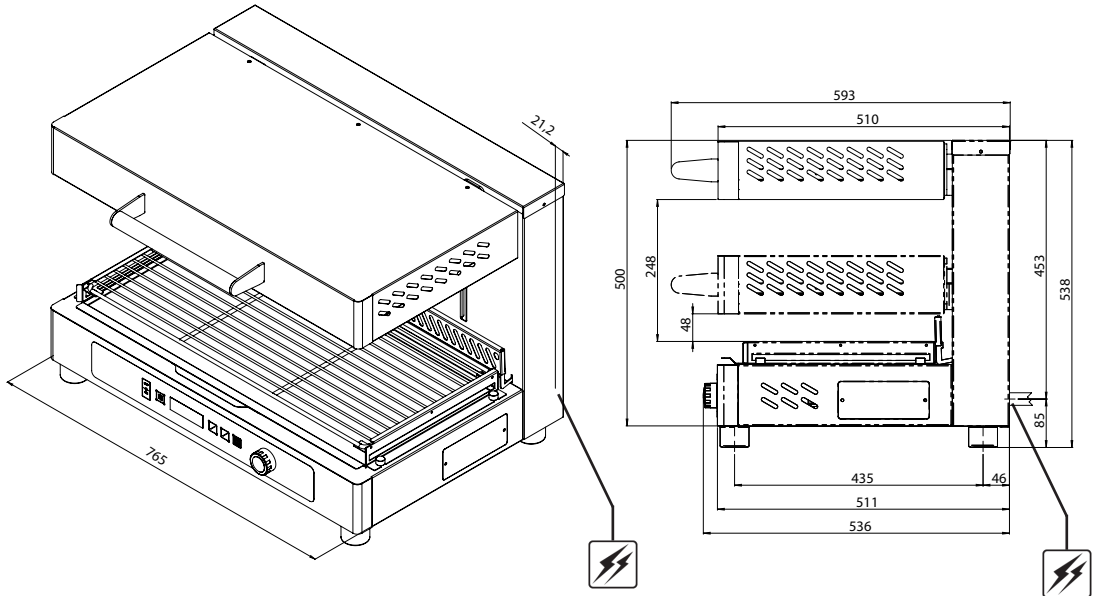
- Stainless steel construction
- Adjustable upper plate to have the heating surface closer to the food
- Ultra rapid and high-performance heating elements
- Lower cooking plate made of glass ceramics
- Safety thermostat to avoid overheating
- Steel grill and drip tray to collect cooking juices, simple to remove to facilitate cleaning

Standard features

- Electronic controls with digital display protected by a polycarbonate panel
- Possibility of selecting the cooking zone, activating 2 or 4 heating elements
- Encoder to adjust cooking time up to 20'
- Warm holding function after the cooking cycle has finished, to be set during programming or separately
- Plate detection system for automatic switching on or off
- (Four) heating elements housed in a special ceramic dish
- Possibility of selecting the heating level of the lower cooking plate (4 levels)

TECHNICAL SPEC

Supply cable 



Overall dimensions (W x D x H) - mm

765 x 593 x 538

Power supply 3N AC 400V

Cooking surface: 1 GN 1/1 + 1 GN 1/3

Total input [kW] 8,6

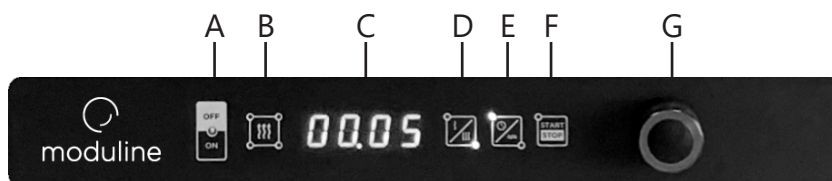
Upper heating surface: 655x260mm - (4 heating elements)

Amps. [A] 12,5 - [3N AC 400V]

Lower heating surface : 530x330mm - (one surface)

Weight 69,7 Kg

- A ON/OFF switch
- B Heating level selection – lower plate
- C Display
- D Selection of upper heating elements
- E Cooking / Holding
- F "START/STOP" key
- G Knob



MODULINE S.R.L.

Via dell'industria 11, Z.I. San Giacomo di Veglia 31029 Vittorio Veneto (TV) - ITALY
tel. +39 0438 5063 - fax +39 0438 912323 - info@moduline.it - www.moduline.it