

## SEH103E

### Ultra-rapid electric Salamander with mobile plate




#### Construction

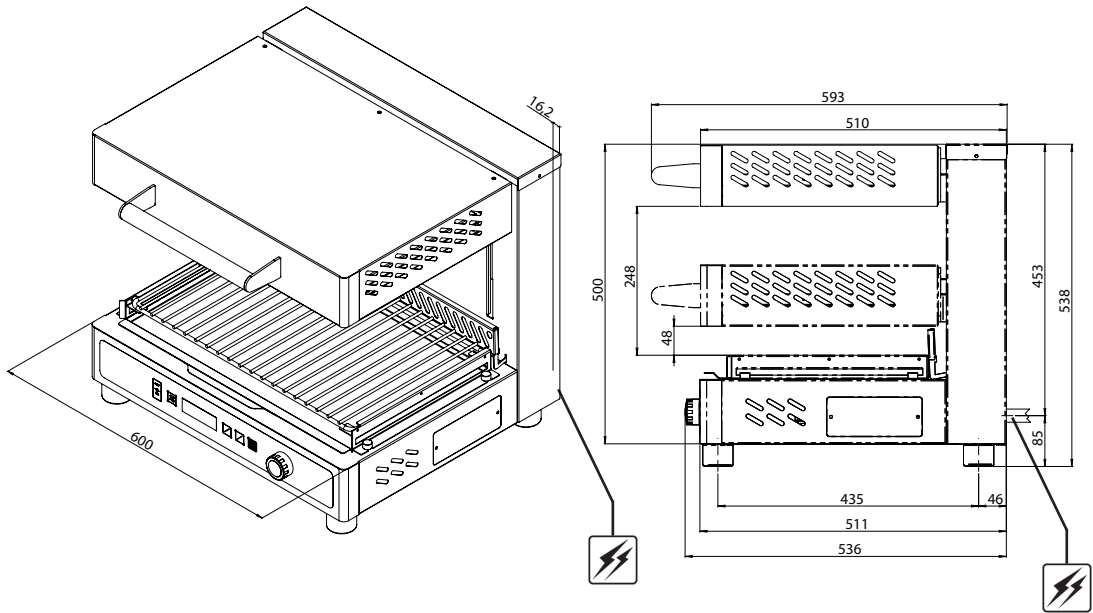
- Stainless steel construction
- Adjustable upper plate to have the heating surface closer to the food
- Ultra rapid and high-performance heating elements
- Lower cooking plate made of glass ceramics
- Safety thermostat to avoid overheating
- Steel grill and drip tray to collect cooking juices, simple to remove to facilitate cleaning

#### Standard features

- Electronic controls with digital display protected by a polycarbonate panel
- Possibility of selecting the cooking zone, activating 1 or 3 heating elements
- Encoder to adjust cooking time up to 20'
- Warm holding function after the cooking cycle has finished, to be set during programming or separately
- Plate detection system for automatic switching on or off
- (Three) heating elements housed in a special ceramic dish
- Possibility of selecting the heating level of the lower cooking plate (4 levels)

**TECHNICAL SPEC**

Power supply 



Overall dimensions(W x D x H) - mm 600 x 593 x 538

Cooking surface: 1 GN 1/1

Upper heating surface: 490x260mm - ( 3 heating elements )

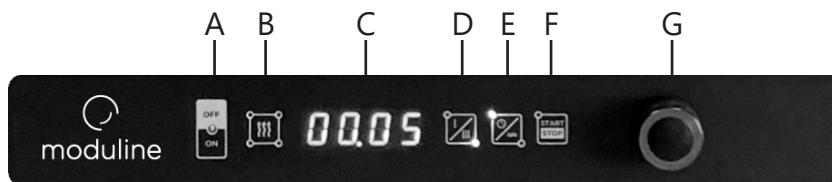
Lower heating surface : 530x330mm - ( one surface )

Weight 59,2 Kg

Power supply 3N AC 400V - 3 AC 230V

Total input [kW] 7,1

Amps. [A] 10,3 - [3N AC 400V]  
17,9 - [3 AC 230V]



- A ON/OFF switch
- B Heating level selection – lower plate
- C Display
- D Selection of upper heating elements
- E Cooking / Holding
- F “START/STOP” key
- G Knob

**MODULINE S.R.L.**

Via dell'industria 11, Z.I. San Giacomo di Veglia 31029 Vittorio Veneto (TV) - ITALY  
tel. +39 0438 5063 - fax +39 0438 912323 - info@moduline.it - www.moduline.it