

SEH003E

Ultra-rapid electric Salamander with mobile plate



Construction


- Stainless steel construction
- Adjustable upper plate to get the heating surface closer to the food
- Ultra rapid and high-performance heating elements
- Safety thermostat to avoid overheating
- Steel grill and drip tray to collect cooking juices, easy to remove to facilitate cleaning

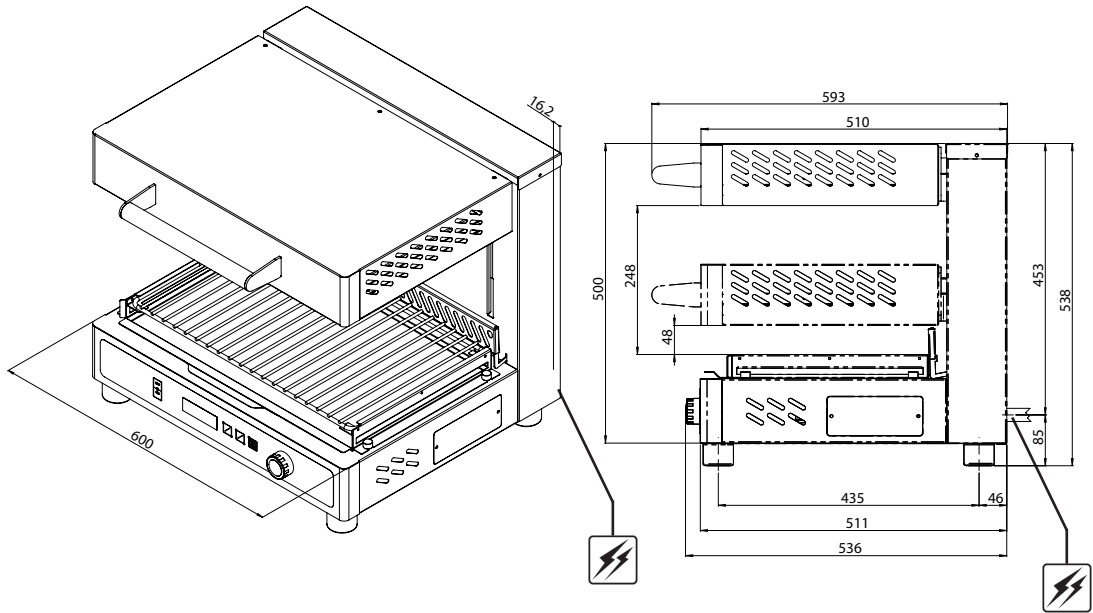
Standard features

- Electronic controls with digital display protected by a polycarbonate panel
- Possibility of selecting the cooking zone, activating 1 or 3 heating elements
- Encoder to adjust cooking time up to 20'
- Warm holding function after the cooking cycle has finished, to be set during programming or separately
- Plate detection system for automatic switching on or off
- (Three) heating elements housed in a special ceramic dish

MODULINE S.R.L.

TECHNICAL SPEC

Supply cable 



Overall dimensions (W x D x H) - mm

600 x 593 x 538

Cooking surface:

1 GN 1/1

Upper heating surface:

490x260mm - (3 heating elements)

Weight

54,5 Kg

Power supply

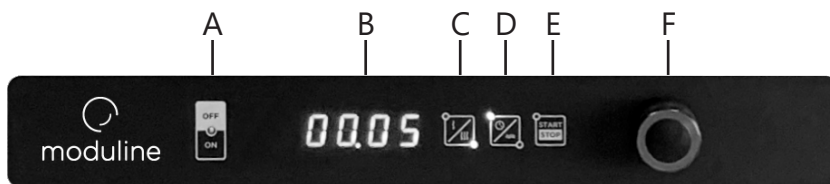
3N AC 400V - 3 AC 230V - AC 230V

Total input [kW]

4,6

Amps. [A]

6,7 - [3N AC 400V]
11,6 - [3 AC 230V]
20 - [AC 230V]



- A ON/OFF switch
- B Display
- C Selection of upper heating elements
- D Cooking / Holding
- E "START/STOP" key
- F Knob

MODULINE S.R.L.

Via dell'industria 11, Z.I. San Giacomo di Veglia 31029 Vittorio Veneto (TV) - ITALY
tel. +39 0438 5063 - fax +39 0438 912323 - info@moduline.it - www.moduline.it