



HSH052E

Hot holding cabinet

CONSTRUCTION FEATURES

- Tightness chamber with radiused corners
- Total thermic insulation with rock or glass wool
- Long lasting door seals made up of food grade of high heat resistance
- Static heating provided by low consumption wire heating element that coils up all the chamber
- Handles to carry by hand
- Ergonomic and fully built-in door handle with magnetic closure

FUNCTIONAL FEATURES

- Electronic control of the temperature
- Operating temperature 30°C ÷ 120°C
- Two adjustable humidity vents: on the door and rear wall
- Designed for stacking
- Reversible door
- Suction feet
- Chamber with safety thermostat

STANDARD SUPPLY

- Removable GN2/1 tray racks


MODULINESRL


Via dell'Industria 11, Z.I. San Giacomo di Veglia 31029 Vittorio Veneto (TV) - ITALY
 tel. +39 0438 5063 - fax +39 0438 912 323 - info@moduline.it - www.moduline.it

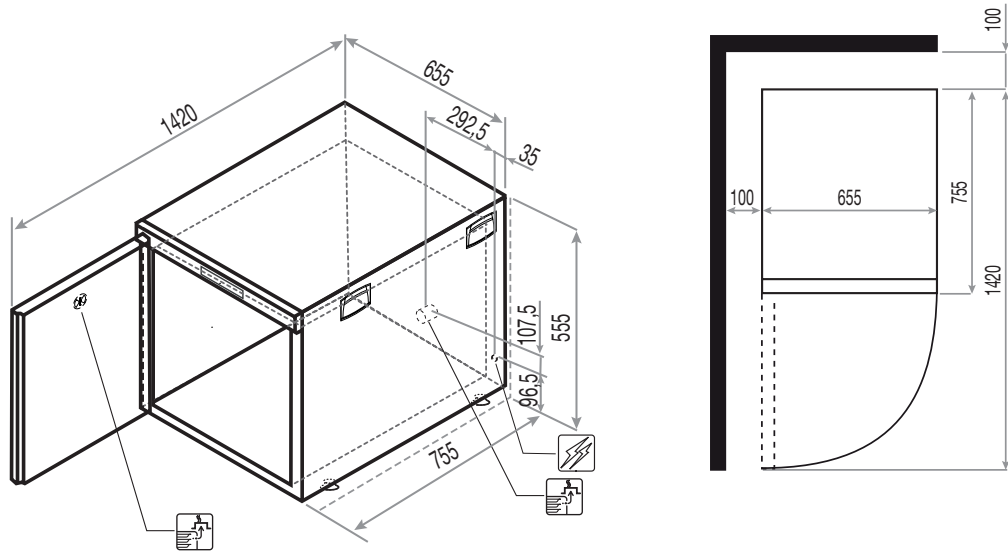


moduline

TECHNICAL INSTALLATION DIAGRAM

Electricity supply
cable inlet 

Adjustable vent
for release of
excess humidity 



Overall dimensions
(W x D x H) - mm

655 x 755 x 555h

Working
temperature [°C]

30÷120

Trays capacity

5 GN2/1
10 GN 1/1

Containers capacity
distance [mm]

5 GN 2/1 (70)
10 GN 1/1 (70)

Power kW

1,5

Containers max
height GN 2/1 [mm]

5 x 65 (h)
2 x 150 (h)

Power supply

AC 230V 50 Hz

Containers max
height GN 1/1 [mm]

10 x 65 (h)
4 x 150 (h)

Rated voltage [Vac]

230

Product max
capacity [kg]

36

Total input [Kw]

1,5

Net weight

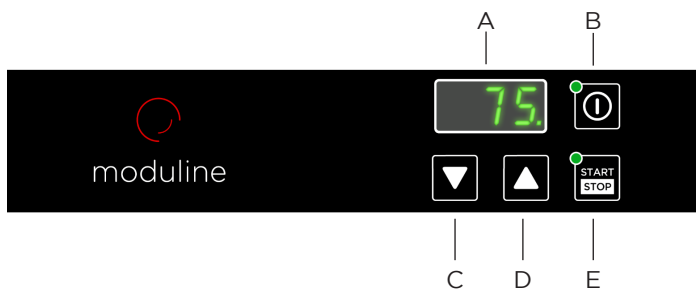
37

Amps. [A]

6,5

Connecting wire
min. section (type
H07 RN-F) [mm²]

3 x 1



- A Display
- B ON/OFF switch
- C Temperature decrease key
- D Temperature increase key
- E START/STOP key

MODULINESRL

Via dell'Industria 11, Z.I. San Giacomo di Veglia 31029 Vittorio Veneto (TV) - ITALY
tel. +39 0438 5063 - fax +39 0438 912 323 - info@moduline.it - www.moduline.it