



GRE106C/D/E

Compact regenerating oven (+3°C → +65°C)

CONSTRUCTION FEATURES

- Tightness chamber with radiused corners
- Total thermic insulation with rock or glass wool
- Long lasting front seals made up of food grade of high heat resistance
- Removable side racks to facilitate cleaning
- Internal drain for easy cleaning
- Ventilated heating provided by high efficiency protected heating elements
- Snap-shut door
- Adjustable feet
- Easy access to facilitate maintenance and repair
- Double low-emission glass door with internal ventilation
- Condensation drip tray under the door and connected to the oven drainage system.

FUNCTIONAL FEATURES

- Control panel of temperature, time and humidity. Electromechanical (C), electronic with digital display (D) or electronic with LCD touch-screen (E)
- Simplified, user-friendly controls
- Periodic reversal of direction of rotation of the fan for better air distribution
- Automatic stopping of fans when the door is opened
- End-of-cycle buzzer
- Chamber with safety thermostat
- Operating temperature 30°C ÷ 160°C
- The regeneration program can be divided into different phases (only for D and E versions)
- Automatic humidity exhaust system after regeneration (only for D and E versions)
- Self-diagnosis system (only for D and E versions)
- MultiLevel function: Combi is able to manage different dishes with different cooking times or temperatures (only for E version)
- IdealWarm function: the intelligent temperature decrease in the cavity at the end of the cooking cycle allows perfect warm holding (only for D and E versions)
- Climachef system (only for D and E versions)
- PadLock: key lock system with password (only for D and E versions)
- ProTime system allows you to set the date and the time you want the oven to preheat or start working (only for D and E versions)
- Glazed door plus lighting
- Removable GN1/1 tray racks







OPTIONS & ACCESSORIES

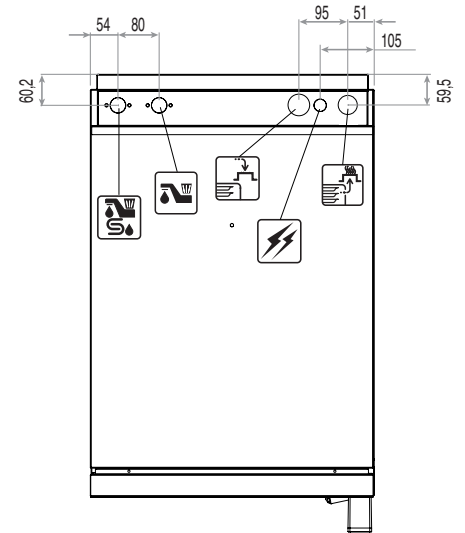
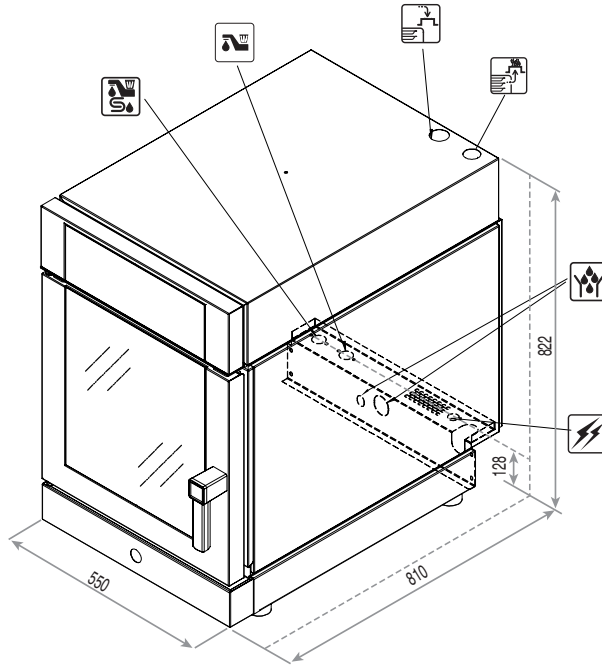
- | | | |
|--|--|--|
| <input type="checkbox"/> Supports | <input type="checkbox"/> Needle core probe sous-vide valve | <input type="checkbox"/> Wall brackets kit |
| <input type="checkbox"/> Built-in hand shower and probe drawer | <input type="checkbox"/> External hand shower | <input type="checkbox"/> Stacking kit |
| <input type="checkbox"/> EcoWash self-cleaning system | <input type="checkbox"/> Integral quenching system | <input type="checkbox"/> Integrated water storage tank |
| <input type="checkbox"/> Core probe | <input type="checkbox"/> Door lock | <input type="checkbox"/> Usb port |
| <input type="checkbox"/> Multipoint core probe | <input type="checkbox"/> Openable inside glass of the door | <input type="checkbox"/> SpeedGrade fan speed adjustment |
| <input type="checkbox"/> Needle core probe | <input type="checkbox"/> Built-in sliding kit | <input type="checkbox"/> FitPower: system for the energy calibration |



moduline

**TECHNICAL
INSTALLATION
DIAGRAM**

- Electricity supply cable inlet 
- Safety vent humidity 
- Chamber drain and condensation drain tray 
- Softened water inlet 
- Water inlet 
- Adjustable vent for excess humidity 



**Overall dimensions
(W x D x H) - mm**

550 x 810 x 822

**Rated voltage
[Vac]**

230

Trays capacity

6 x GN 1/1

**Total input
[kW]**

3,35

**Power
[kW]**

3,35

**Amps.
[A]**

14,6

Power supply

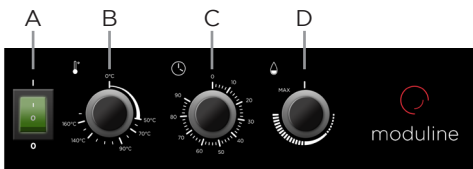
230 Vac 50 Hz

**Connecting wire
min. section (type
H07 RN-F) [mm²]**

3 x 1,5

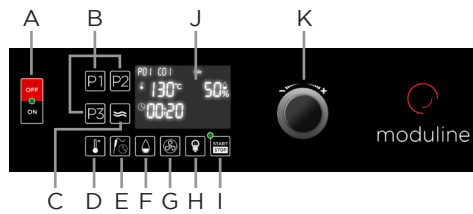
**Water pressure
[kPa]**

150÷500



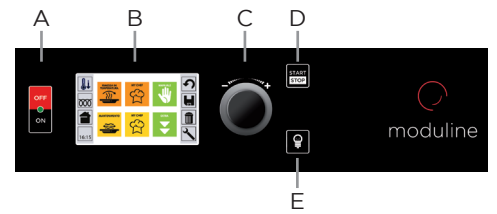
C Version

- A ON/OFF switch
- B Cavity temperature knob
- C Time setting knob
- D Cavity humidity control knob



D Version

- A ON/OFF switch
- B Pre-set program keys
- C Holding function key
- D Cavity temperature control key
- E Time / core probe control key
- F Cavity humidity control key
- G Fan speed control key (optional)
- H Cavity light key
- I Start/stop key
- J Display
- K Encoder knob



E Version

- A ON/OFF switch
- B Display Touch Screen
- C Setting knob and select "ENTER"
- D "START/STOP" button
- E Chamber light button

MODULINESRL

Via dell'Industria 11, Z.I. San Giacomo di Veglia 31029 Vittorio Veneto (TV) - ITALY
tel. +39 0438 5063 - fax +39 0438 912 323 - info@moduline.it - www.moduline.it