



## CSC051E

### Cook & hold oven

#### CONSTRUCTION FEATURES

- Tightness chamber with radiused corners
- Total thermic insulation with rock or glass wool
- Long lasting door seals made up of food grade of high heat resistance
- Static heating provided by low consumption wire heating element that coils up all the chamber
- Handles to carry by hand
- Ergonomic and fully built-in door handle with magnetic closure

#### FUNCTIONAL FEATURES

- Electronic control of the time, temperature and core probe
- Operating temperature 30°C ÷ 120°C
- Two humidity vents: on the door and rear wall
- End-of-cycle buzzer
- Designed for stacking
- Reversible door
- Suction feet
- Chamber with safety thermostat

#### STANDARD SUPPLY

- Internal core probe
- Removable GN1/1 tray racks


**MODULINESRL**


Via dell'Industria 11, Z.I. San Giacomo di Veglia 31029 Vittorio Veneto (TV) - ITALY  
 tel. +39 0438 5063 - fax +39 0438 912 323 - info@moduline.it - www.moduline.it

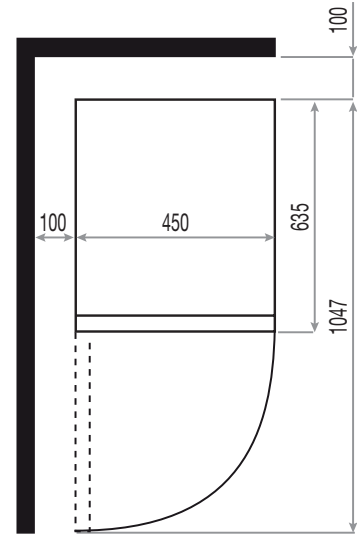
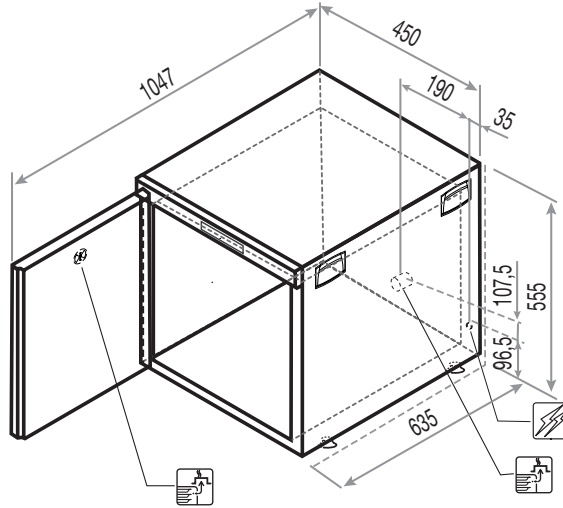


moduline

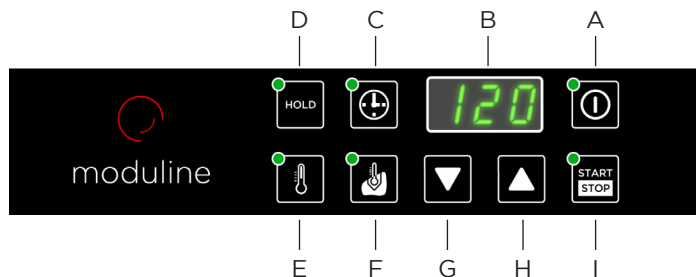
**TECHNICAL  
INSTALLATION  
DIAGRAM**

Electricity supply  
cable inlet 

Adjustable vent  
for release of  
excess humidity 



|  |                  |                                   |  |
|--|------------------|-----------------------------------|--|
| Overall dimensions (W x D x H) - mm                | 450 x 635 x 555h | Working temperature [°C]          | 30÷120   |
| Trays capacity                                     | 5 GN 1/1         | Containers capacity distance [mm] | 5 GN 1/1 (70)  |
| Power kW   | 1                | Containers max height [mm]        | 5 x 65 (h)<br>2 x 150 (h)<br>1 x 200 (h) + 1 x 150 (h) |
| Power supply                                       | AC 230V 50 Hz    | Product max capacity [kg]         | 15   |
| Rated voltage [Vac]                                | 230              | Net weight                        | 27   |
| Total input [Kw]                                   | 1                |                                   |  |
| Amps. [A]  | 4,4              |                                   |  |
| Connecting wire min. section (type H07 RN-F) [mm²] | 3 x 1            |                                   |  |



- A ON/OFF switch
- B Display
- C Time selection key
- D Keeping warm or regenerating mode programming keys
- E Temperature selection key
- F Core probe on/off key
- G Temperature decrease key
- H Temperature increase key
- I START/STOP key

**MODULINESRL**

Via dell'Industria 11, Z.I. San Giacomo di Veglia 31029 Vittorio Veneto (TV) - ITALY  
tel. +39 0438 5063 - fax +39 0438 912 323 - info@moduline.it - www.moduline.it