



## CSC031E

### Cook & hold oven

#### CONSTRUCTION FEATURES

- Tightness chamber with radiused corners
- Total thermic insulation with rock or glass wool
- Long lasting door seals made up of food grade of high heat resistance
- Static heating provided by low consumption wire heating element that coils up all the chamber
- Handles to carry by hand
- Ergonomic and fully built-in door handle with magnetic closure

#### FUNCTIONAL FEATURES

- Electronic control of the time, temperature and core probe
- Operating temperature 30°C ÷ 120°C
- Two humidity vents: on the door and rear wall
- End-of-cycle buzzer
- Designed for stacking
- Reversible door
- Suction feet
- Chamber with safety thermostat

#### STANDARD SUPPLY

- Internal core probe
- Removable GN1/1 tray racks


**MODULINESRL**


Via dell'Industria 11, Z.I. San Giacomo di Veglia 31029 Vittorio Veneto (TV) - ITALY  
 tel. +39 0438 5063 - fax +39 0438 912 323 - info@moduline.it - www.moduline.it

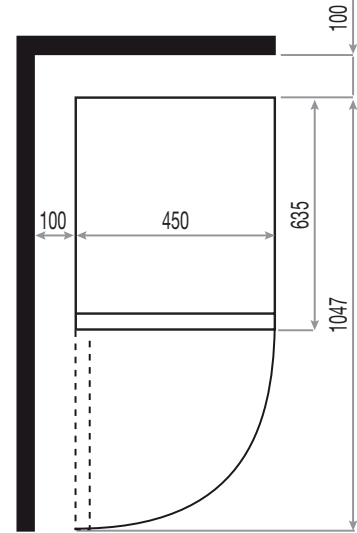
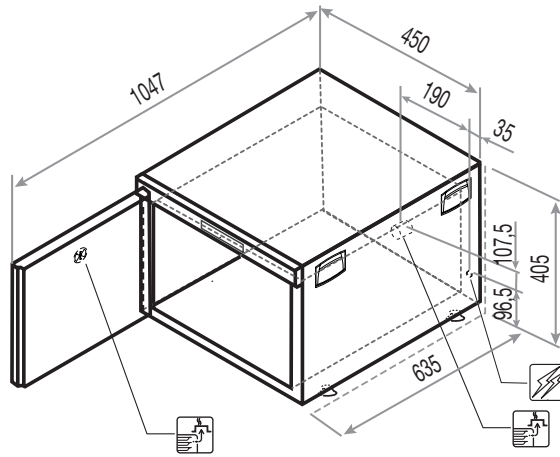


# moduline

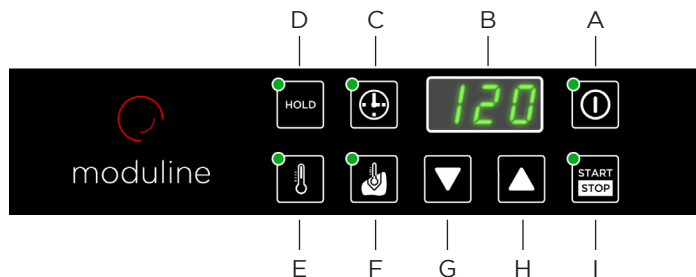
## TECHNICAL INSTALLATION DIAGRAM

Electricity supply  
cable inlet 

Adjustable vent  
for release of  
excess humidity 



Overall dimensions (W x D x H) - mm	450 x 635 x 405h	Working temperature [°C]	30÷120
Trays capacity	3 GN 1/1	Containers capacity distance [mm]	3 GN 1/1 (70)
Power kW	0,7	Containers max height [mm]	3 x 65 (h) 1 x 200 (h) 1 x 150 (h) + 1 x 65 (h)
Power supply	AC 230V 50 Hz	Product max capacity [kg]	10
Rated voltage [Vac]	230	Net weight	22
Total input [Kw]	0,7		
Amps. [A]	3,1		
Connecting wire min. section (type H07 RN-F) [mm <sup>2</sup> ]	3 x 1		



- A ON/OFF switch
- B Display
- C Time selection key
- D Keeping warm or regenerating mode programming keys
- E Temperature selection key
- F Core probe on/off key
- G Temperature decrease key
- H Temperature increase key
- I START/STOP key

**MODULINESRL**

Via dell'Industria 11, Z.I. San Giacomo di Veglia 31029 Vittorio Veneto (TV) - ITALY  
tel. +39 0438 5063 - fax +39 0438 912 323 - info@moduline.it - www.moduline.it