



CHC282E

Cook & hold oven

CONSTRUCTION FEATURES

- Two separately controlled compartments with radiused corners
- Total thermic insulation with rock or glass wool
- Long lasting frontal seals made up of food grade of high heat resistance
- Static heating provided by low consumption wire heating element that coils up all the chamber
- Snap-shut door
- Mounted on four 150mm diameter castors, two of wich with brake
- All-around rubber bumpers
- Tightness cavity with radiuses corners, built-in drip tray and drainage system

FUNCTIONAL FEATURES

- Electronic control panel of temperature, time, core probe and Δt with LCD touch-screen
- Operating temperature 30°C ÷ 160°C
- End-of-cycle buzzer
- Chamber with safety thermostat
- Internal drain for easy cleaning
- Condensation drain tray
- Delayed start timer

STANDARD SUPPLY

- Multipoint core probe with the possibility to register 30 different temperatures and save them in the HACCP report (available only with USB port device)
- Glazed doors plus lighting
- Removable GN2/1 and GN1/1 tray racks

OPTIONS & ACCESSORIES

- USB port saving device HACCP
- Automatic door lock


MODULINESRL


Via dell'Industria 11, Z.I. San Giacomo di Veglia 31029 Vittorio Veneto (TV) - ITALY
 tel. +39 0438 5063 - fax +39 0438 912 323 - info@moduline.it - www.moduline.it

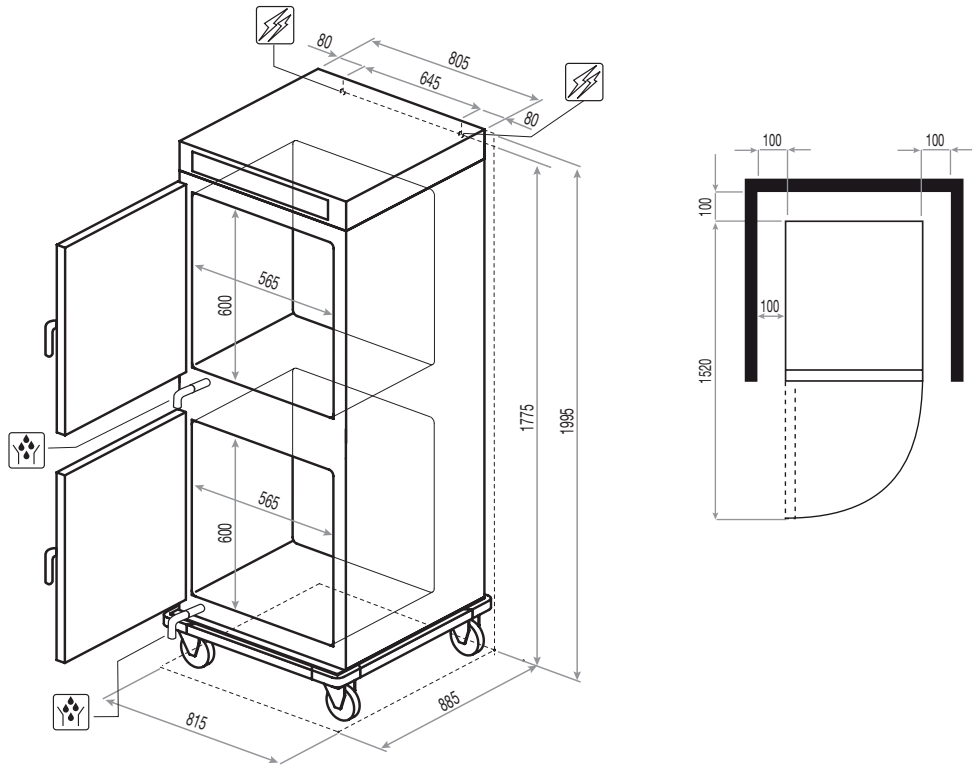


moduline

**TECHNICAL
INSTALLATION
DIAGRAM**

Electricity supply
cable inlet 

Chamber drain 



**Overall dimensions
(W x D x H) - mm**

815 x 885 x 1995h

**Working
temperature [°C]**

30÷160

**Trays capacity
(--) space between**

8 + 8 x GN 2/1
16 + 16 x GN 1/1 (70)

**Containers capacity
distance [mm]**

8 + 8 x GN 2/1 (70)
16 + 16 x GN 1/1 (70)

**Power
[kW]**

3 + 3

**Product max
capacity [kg]**

55 + 55

Power supply

AC 230V 50 Hz

**Rated voltage
[Vac]**

230

**Total input
[Kw]**

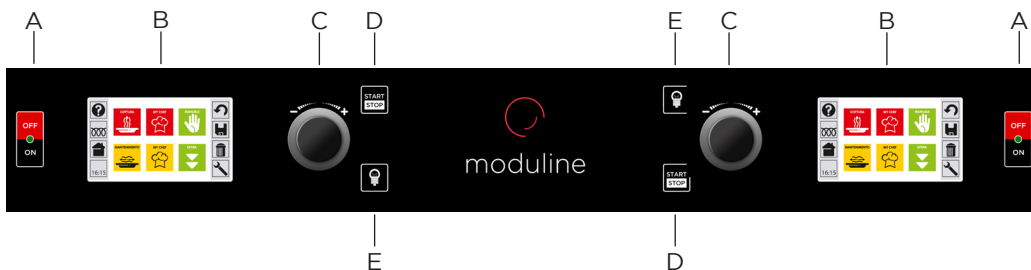
3 + 3

**Amps.
[A]**

13 + 13

**Connecting wire
min. section (type
H07 RN-F) [mm²]**

3 x 1,5



- A ON/OFF switch
- B Display Touch Screen
- C Setting knob and select "ENTER"
- D "START/STOP" button
- E Chamber light button

MODULINESRL

Via dell'Industria 11, Z.I. San Giacomo di Veglia 31029 Vittorio Veneto (TV) - ITALY
tel. +39 0438 5063 - fax +39 0438 912 323 - info@moduline.it - www.moduline.it