

HSM Series

Heated Shelf Merchandiser



HSM-36/3S/T & HSM-36/5S/T

CE

Featuring exclusive Halo Heat® technology, Alto-Shaam heated shelf merchandisers provide precise, top and bottom heat for the highest quality prepared food- and longer hold times.

Hold a variety of grab-and-go products, including rotisserie chickens, pizza, sandwiches, and more. Drive foodservice profits with hot, ready-to-eat meals. Convenient, fresh meals are displayed in an aesthetically pleasing, customizable merchandiser.

Experience better quality food with gentle, even and precise Halo Heat® fanless technology to keep food from drying out.

Flexibility to control individual shelf temperatures allows you to hold a variety of products at the proper temperature.

Boost impulse sales with LED-lighted shelves, customized branding, backlit interchangeable graphics, pricing rails and window sides.

Simple operation and easy cleaning keeps delis and grab-and-go areas operating smoothly.

Easy-to-load shelves – pass-through option available for added convenience.

Made in the USA with a commitment to quality. Alto-Shaam is ISO 9001:2015-certified.

Standard Features

- Adjustable thermostat per shelf with a heat-on indicator light
- Latched access panel on the front of the merchandiser
- Four casters (floor standing models); four legs (countertop models)



18 HSM-36/3S/T: Three (3) 835mm width shelves, six (6) chicken boats with dome cover per shelf.

30 HSM-36/5S/T: Five (5) 835mm width shelves, six (6) chicken boats with dome cover per shelf.



HSM-36/3S/T: 33 kg 11 kg per shelf

HSM-36/5S/T: 55 kg 11 kg per shelf



HSM-36/5S/T



HSM-36/3S/T

Configurations (select one)

Model

- HSM-36/3S/T
- HSM-36/5S/T

Electrical

- 230V, 1PH

Door Options

- None (reach-in models only)
- Rear slide (pass-through models only)
- Rear swing (pass-through models only)
- Front swing (reach-in and pass-through models)

Legs or Casters (floor standing)

- 102mm – 153mm adjustable legs [5025454]
- 76mm casters (Standard)

Legs or Display Base (countertop)

- 102mm – 153mm adjustable legs: [Standard] [5026182]
- HSM-36/3S-CT Display Base, with casters [5026176]
- HSM-36/3S-CT Display Base, with legs [5026182]

Accessories (select all that apply)

qty

Note: Unit ships without graphics unless selected

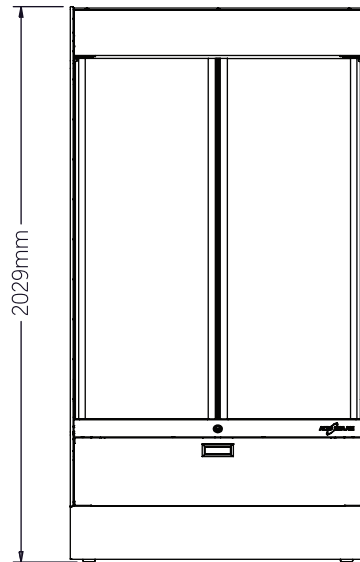
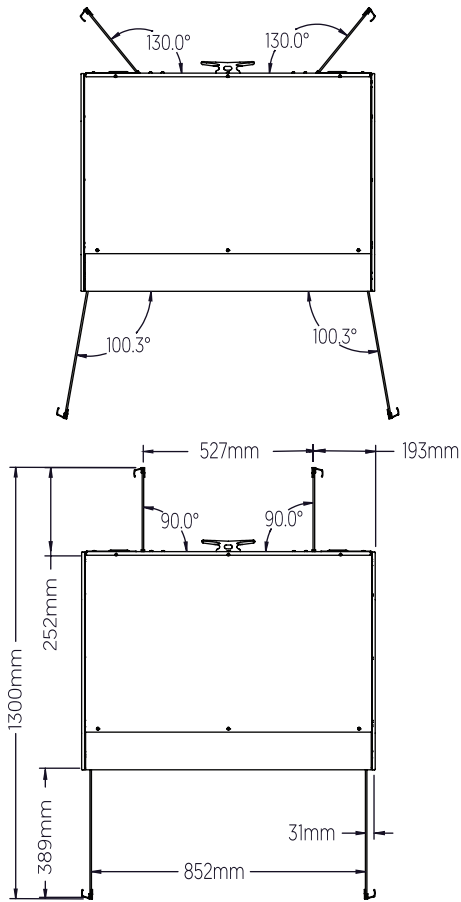
- Signage panel, POP Display
- Signage panel, shelf – Rotisserie Chicken
- Signage panel, shelf – Hot Sandwiches
- Signage panel, shelf – Barbecue Ribs
- Signage panel, shelf – Hot & Tasty
- Signage panel, shelf – Grab & Go
- Signage panel, shelf – Hot & Fresh
- Shelf insert for magnetic signage panels, HSM-24/5S [1027304]. Magnetic signage panels to be provided by customer.
- Shelf insert for magnetic signage panels, HSM-36/5S [1027305]. Magnetic signage panels to be provided by customer.
- Shelf insert for magnetic signage panels, HSM-48/5S [1027306]. Magnetic signage panels to be provided by customer.



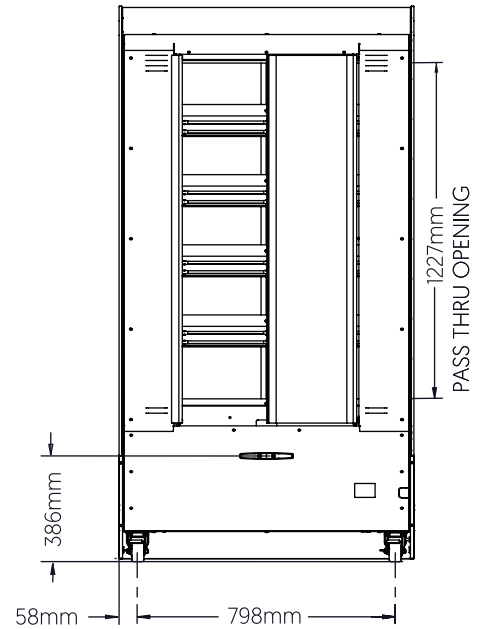
HSM Series

HSM-36/5S/T

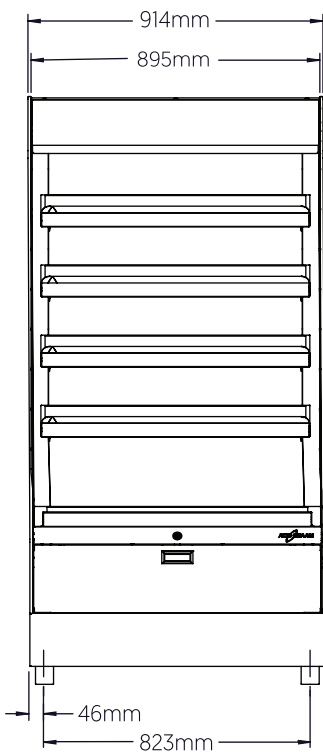
ALTO-SHAAM



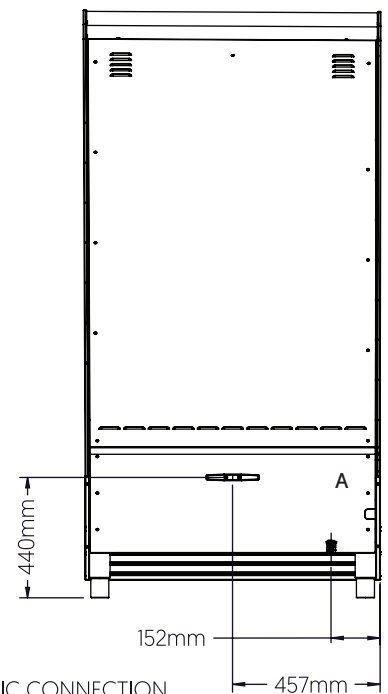
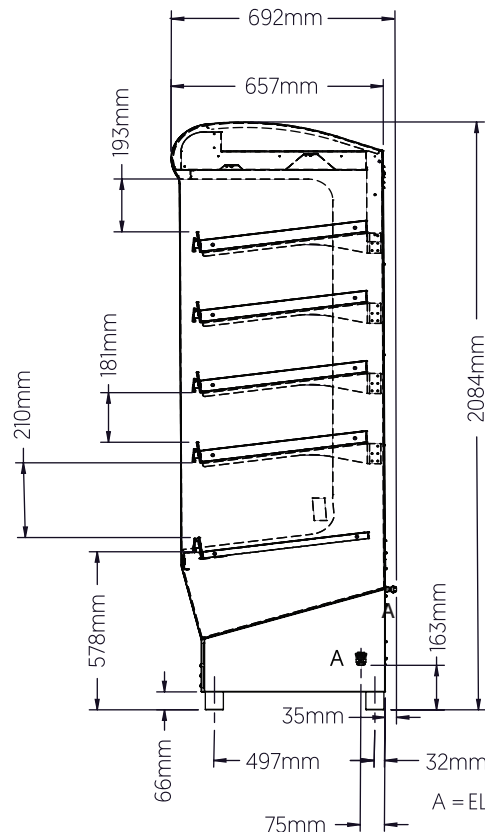
FRONT WITH DOORS & CASTERS



BACK VIEW WITH SWING DOOR



FRONT WITH FEET

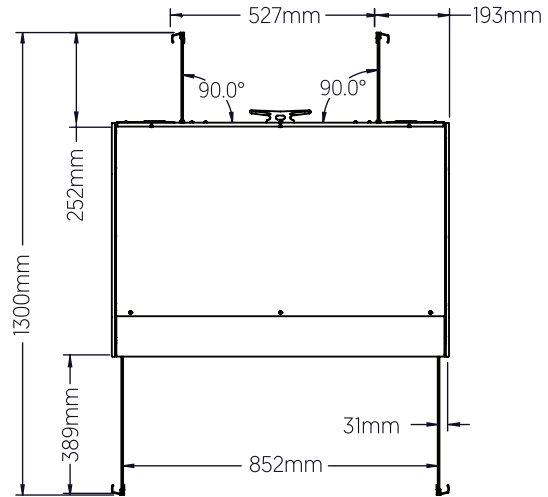
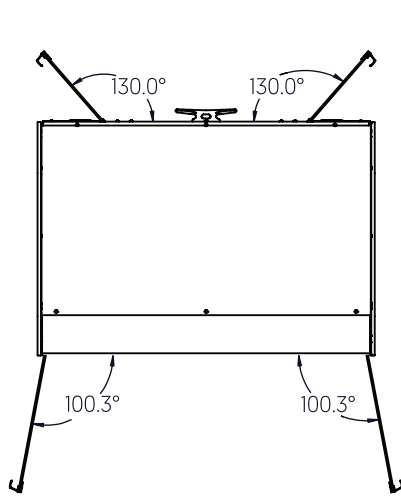


A = ELECTRIC CONNECTION

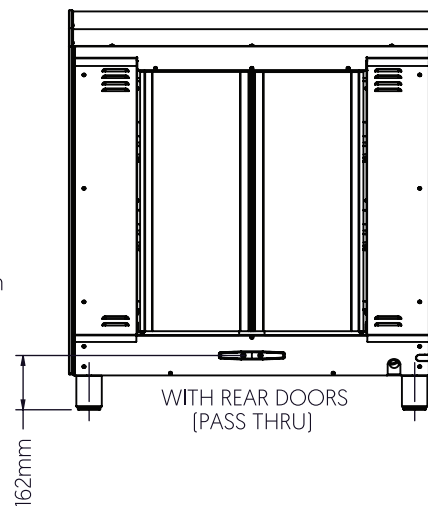
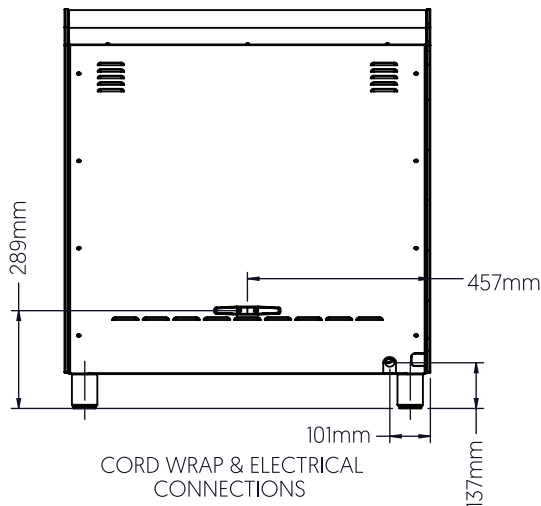
HSM Series



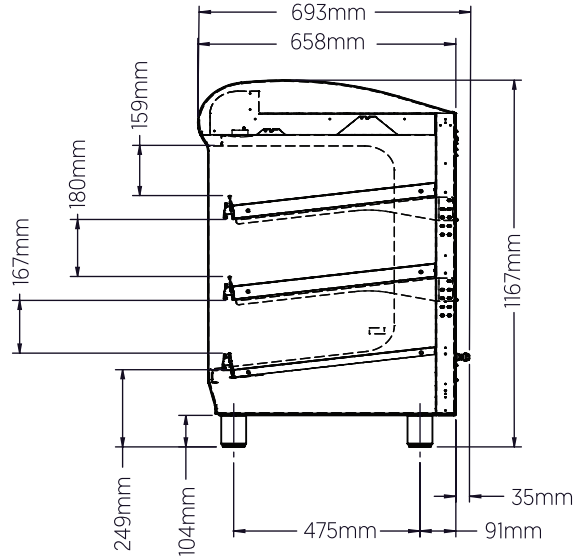
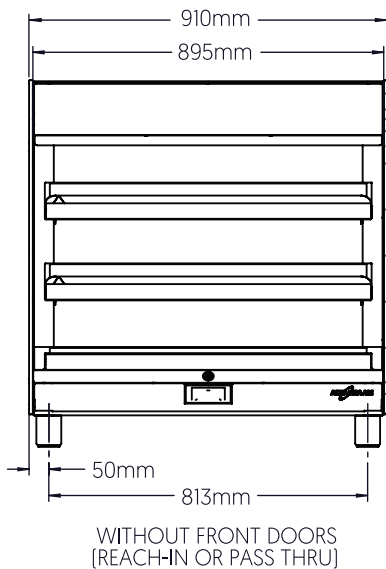
HSM-36/3S/T



HSM-36/3S TOP



HSM-36/3S BACK

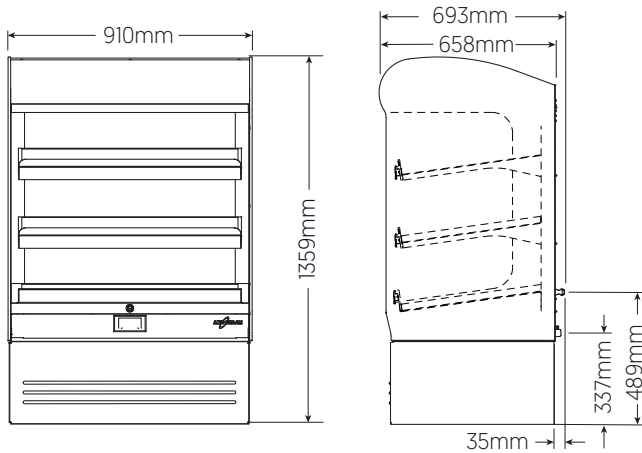


HSM-36/3S FRONT

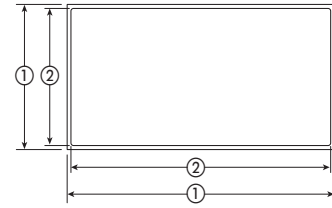
HSM Series



HSM-36/3S/T & HSM-36/5S/T



HSM-36/3S/T
SHOWN WITH
DISPLAY BASE



Shelf Dimensions (W x D)
① = Overall ② = Heated Surface

HSM-36/3S/T
① 835mm x 521mm
② 810mm x 495mm

HSM-36/5S/T
① 835mm x 521mm
② 810mm x 495mm

Model	Exterior (H x W x D)	Net Weight
HSM-36/3S/T	1167mm x 910mm x 693mm	141 kg
HSM-36/5S/T	2084mm x 914mm x 692mm	225 kg
Ship Dimensions (L x W x H)*		Ship Weight*
HSM-36/3S/T	1422mm x 1143mm x 1638mm	210 kg
HSM-36/5S/T	1422mm x 1600mm x 2261mm	268 kg

*Contact factory for details.



CLEARANCE

Rear: 102mm

Recommended: 457mm for service access.
Charges in connection with inadequate service access is not covered under warranty.



CHECK FIRST

- Merchandiser must be installed level.
- Merchandiser must not be installed in any area where it may be affected by steam, grease, dripping water, high temperatures, or any other severely adverse conditions.



ELECTRIC

HSM-36/3S/T	V	Ph	Hz	Awg	IEC	A	Breaker (A)	kW	Plug Configuration	Residual Current Device*
230V	230	1	50/60	—	1	9	15	2.0	No cord/plug	Type B

Electrical connections must meet all applicable federal, state, and local codes.
Dedicated circuit required.
*Recommended

HSM-36/5S/T	V	Ph	Hz	Awg	IEC	A	Breaker (A)	kW	Plug Configuration	Residual Current Device*
230V	230	1	50/60	—	1.5	15.0	20	3.45	No cord/plug	Type B

Electrical connections must meet all applicable federal, state, and local codes.
Dedicated circuit required.
*Recommended

CONTACT US

W164 N9221 Water Street | Menomonee Falls, Wisconsin 53051 | U.S.A.
Phone: 262.251.3800 | 800.558.8744 U.S.A./Canada | Fax: 262.251.7067 | alto-shaam.com