



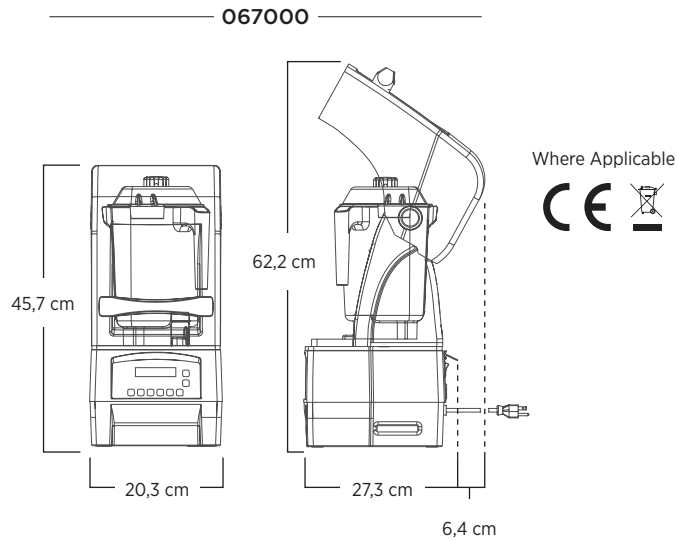
Noise Reduction for Smaller Volume Shops

The Touch & Go Advance offers a powerful motor, convenient pre-set controls, and noise reduction for smaller-volume shops.

Smart Product Design

- ≈2.3 HP motor blends frozen drinks with ease
- Twist-and-lock sound enclosure features a no-tools-required design for easy removal and cleaning
- 6 pre-set buttons blend the most commonly made drinks
- 20 recipe programs provide consistent results quickly and easily
- 0,9-Litre Advance container creates smooth, pourable blends





Includes Touch & Go Advance with 0,9-Litre high-impact, clear/stackable Advance container, complete with Advance blade assembly and lid, and removable compact cover.*

For more complete warranty terms and conditions, please contact your authorised Vitamix distributor.

*Standard 2,0 litre container cannot be used with the compact cover.

Product Specifications

Item Number	067000
Motor	≈2,3 peak output horsepower motor
Electrical	220-240 V, 50/60 Hz, 1100-1300 W
Net Weight	8,62 kg (12,1 kg. with box)
Dimensions	45,7 x 20,3 x 27,3 cm (HxWxD) Height with lid open: 62,2 cm

Also Available

58667	0,9 L Clear Advance container
58984	0,9 L Blue Advance container
58985	0,9 L Yellow Advance container
58986	0,9 L Orange Advance container
58987	0,9 L Purple Advance container

Contact Information

+1.440.782.2450

international@vitamix.com

vitamix.com

For more information, please contact an authorised Vitamix distributor, or Vitamix international customer service.

