

Flat Bread Toaster | GST-1H



The new Flat Bread Toaster by Antunes can quickly heat pitas, flatbreads, and tortillas or cook raw tortillas in only seconds, allowing operations to serve items on demand without causing any delays in service. This unit features a motorized conveyor that guides product along the two high-temperature platens. With a front load and front return, the Flat Bread Toaster easily fits into any kitchen configuration.

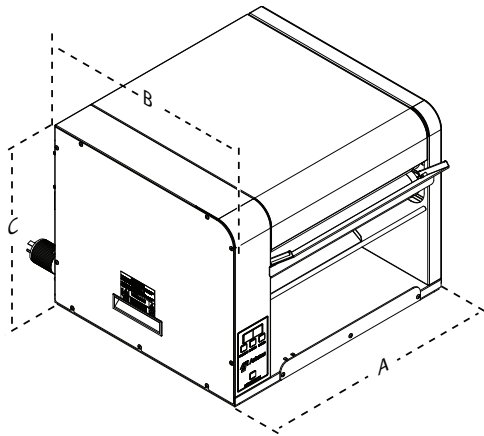
The GST-1H utilizes a digital controller, allowing users to quickly adjust the temperature and motor speed to ensure products are properly heated.

FEATURES

- Wide-mouth opening to accommodate different products, including tortillas, pitas, and flatbreads.
- Digital controller with adjustable settings for the temperature and motor speed.
- Top and bottom high-temperature platens.
- Continuously moving belts allow immediate feeding of product.
- Motorized conveyor with front load and front return.
- Accommodates products up to 16" (41 cm) wide.
- Integrated heated landing zone.
- Stainless steel construction.
- Heats pre-cooked flour or corn tortillas to 160°F (71°C) in approximately 6 seconds.
- Heats uncooked flat flour tortillas to 160°F (71°C) in approximately 12 seconds.
- Heats uncooked flat corn tortillas to 160°F (71°C) in approximately 24 seconds.
- Heats flat breads to 160°F (71°C) in approximately 6 to 10 seconds.

Flat Bread Toaster | GST-1H

Dimensions



Model & Mfg. No.	Width (A)	Depth (B)	Height (C)
GST-1H 9210970 9210972	23 5/16" (592 mm)	20" (508 mm)	17 1/4" (438 mm)

Electrical Ratings and Plug Configuration

Model & Mfg. No.	Volts	Watts	Hertz	Plug Description
GST-1H 9210970	208	4600	60	L6-30P 30 Amp., 250 Volt Straight Twist Lock
GST-1H 9210972	230	4600	50	IEC-309 Pin & Sleeve 32 Amp., 230 Volt

Shipping Dimensions

Model & Mfg. No.	Height	Width	Depth	Weight
GST-1H 9210970 9210972	32" (813 mm)	40" (1,016 mm)	48" (1,219 mm)	183 lbs. (83 kg)

P/N 1020474 09/17