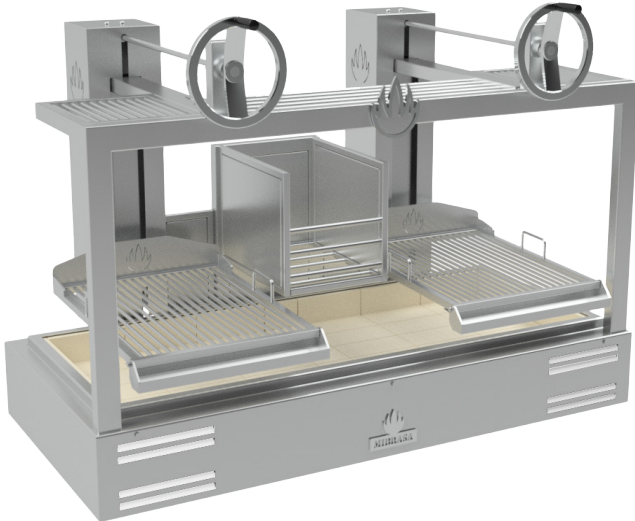


# Parrilla GMB 160 FIRE



## FEATURES

Precision and strength is key to the PARRILLA by MIBRASA®. Effortlessly regulate the height of your grill surface thanks to the carefully engineered pulley cable and counterweight system, keeping maintenance down to a minimum.

The system lets us sear, cook and rest our ingredients, to get the optimal result every time.

ERGONOMICALLY DESIGNED WITH MAXIMUM QUALITY AND SECURITY

With a sloping grill, the grease runs down the weld-free grill bars to prevent grease build-up. Grease drips down to the collector with an easy to remove mechanism ready to clean.

The base is lined with refractory bricks to ensure maximum heat efficiency and resistance to pure fire. And the built-in cooling system in outer case guarantees a maximum level of security.

Built using quality steels providing strength and durability; ergonomically designed for practicality and ease of use, each feature plays a crucial part in delivering the ultimate grilling machine for every chef.

## TECHNICAL INFORMATION

Fire up time <sup>1</sup>	30 min-average
Cooking temperature	250 °C
Total cooking surface area	2 x (635 x 500mm) = 0.64m <sup>2</sup>
Initial charcoal load <sup>1</sup>	12 kg
Grill height range	350 mm
Charcoal load duration <sup>2</sup>	7 h
Equivalent power*	5.2 kW
Exhaust rate	4600 m <sup>3</sup> /h
Net weight <sup>3</sup>	420 kg
Crated weight* <sup>3</sup>	550 kg
Crated size (WxDxH)	1120 x 1810 x 1380

\*Approximate data

1. Consult instruction manual

2. Will vary depending on quality of charcoal

3. Weight with accessories included

## INCLUDED ACCESSORIES

- 2 Rod grills [CPV160FIRE]
- Ember poker [PK]
- Ash shovel [PALA]
- Vertical cooking rack [CPH-160-FIRE]
- 2 Mibrasa tongs [TG]
- 2 Grill brushes [CEP]
- 2 Swivel hooks [GGCV]
- Mibrasa Ecofire firelighters [FL]

## OPTIONAL ACCESSORIES

- V-shape grill [GV160FIRE]
- Extra rod grill [CPV160FIRE]
- End of service lid [TAPAGMB160]
- Thermal protector [EPGMB160]
- Espeto skewer kit [KITESPGMB160]
- GN support kit [SGN160]

Specifications and design are subject to change without notice.

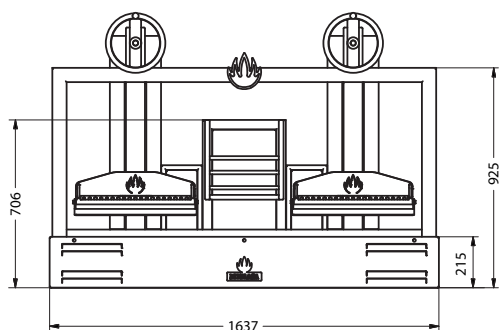
## QUALITY GUARANTEE



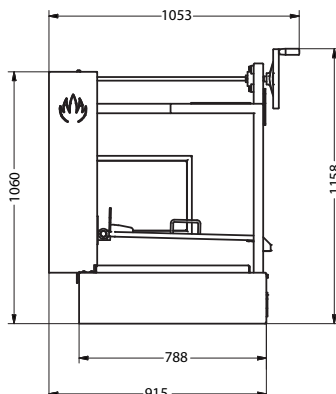


# Parrilla GMB 160 FIRE

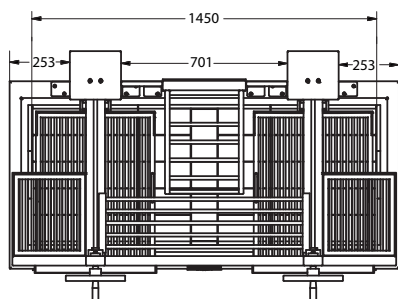
FRONT VIEW



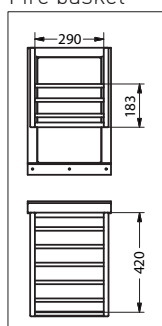
SIDE VIEW



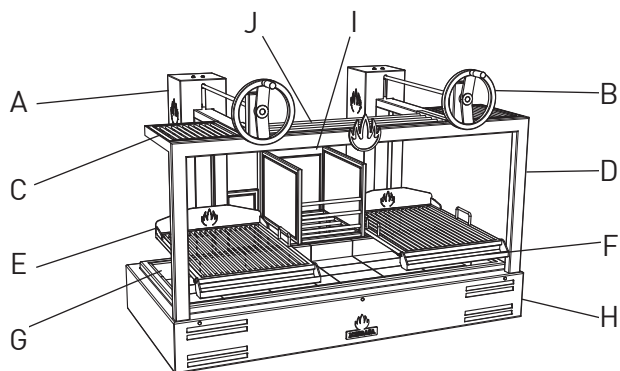
TOP VIEW



Fire basket



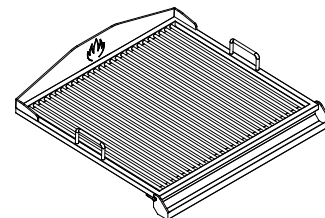
Dimensions in mm



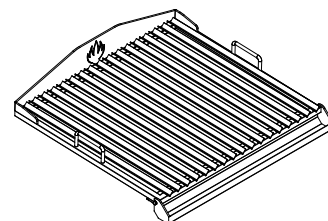
A	Reverse elevating system
B	Elevating wheel
C	Heating rack
D	Structure
E	Grill
F	Grease collector
G	Refractory bricks
H	Main body
I	Fire basket
J	Vertical cooking rack

## GRILL TYPES

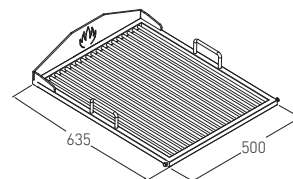
Rod bar grill



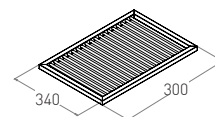
V-shape grill



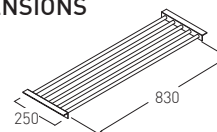
## GRILL DIMENSIONS



## HEATING RACK DIMENSIONS



## VERTICAL COOKING RACK DIMENSIONS



Revit drawings available on request at [mibrasa@mibrasa.com](mailto:mibrasa@mibrasa.com)

## INSTALLATION GUIDELINES AND SAFETY STANDARDS

Recommended installation height	700 mm
Clearances to construction/other appliances from the Parrilla	76 mm
Clearances of flammable materials from the Parrilla	300 mm
Clearance of workspace from front of the Parrilla	700 mm



\*It is recommended to use a lifting device to lift the Parrilla and place on the countertop/stand.

Consult Parrilla instruction manual for further information.

Specifications and design are subject to change without notice.



# Parrilla GMB 160 FIRE

## OPTIONAL COMPLETE STAND



## TECHNICAL INFORMATION

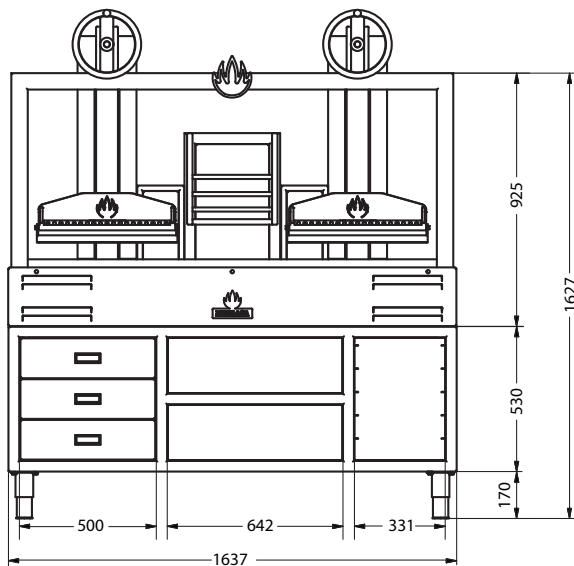
Ref.	GMB160 FIRE + MCGMB160
Net weight <sup>3</sup>	530 kg
Crated weight* <sup>3</sup>	660 kg
Crated size (WxDxH)	1120 x 1810 x 2000

Ref.	MCGMB160
Net weight <sup>3</sup>	110 kg
Crated weight* <sup>3</sup>	125 kg
Crated size (WxDxH)	1120 x 1810 x 700
No. drawers	3
No. GN rack slots	5

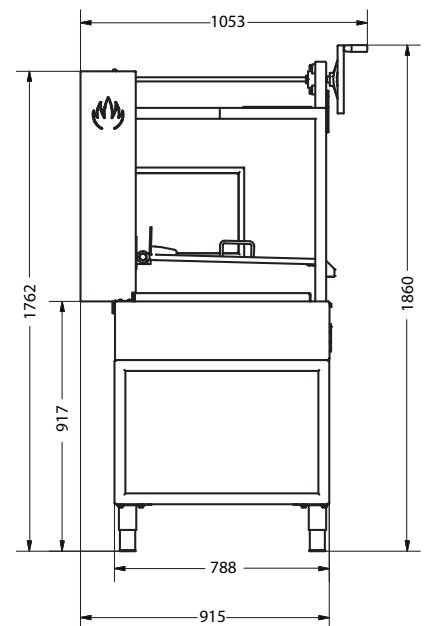
## OPTIONAL ACCESSORIES

- S/S Casters [WINOX]

FRONT VIEW



SIDE VIEW



Dimensions in mm

Specifications and design are subject to change without notice.



# Parrilla GMB 160 FIRE

## OPTIONAL STAND



## TECHNICAL INFORMATION

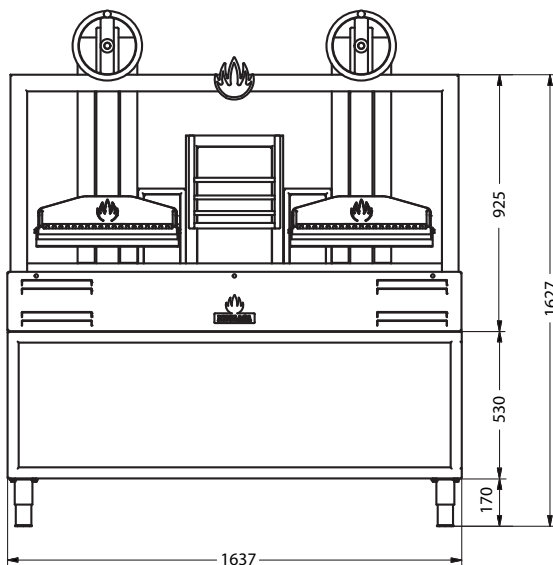
Ref.	GMB160 FIRE + MGMB160
Net weight <sup>3</sup>	460 kg
Crated weight* <sup>3</sup>	590 kg
Crated size (WxDxH)	1120 x 1810 x 2000

Ref.	MGMB160
Net weight <sup>3</sup>	40 kg
Crated weight* <sup>3</sup>	55 kg
Crated size (WxDxH)	1120 x 1810 x 700

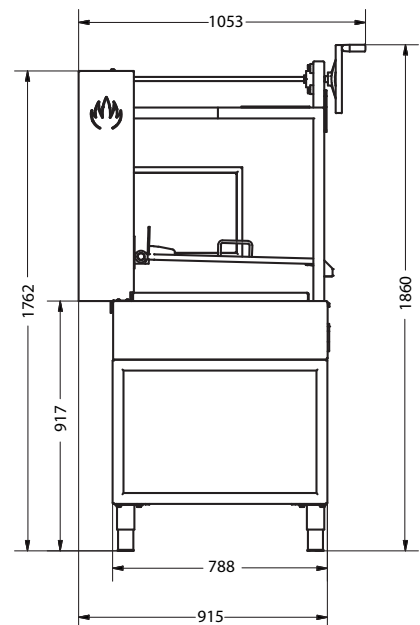
## OPTIONAL ACCESSORIES

- S/S Casters [WINOX]
- Gastronorm rack

FRONT VIEW



SIDE VIEW



Dimensions in mm

Specifications and design are subject to change without notice.