

THREE FLAVOR STAND TYPE SOFT ICE CREAM MACHINE



SSI-203SN (P)



W x D x H

inch (mm)

23" (590) x 35" (900) x 60" (1,515)

Feature



SIMPLICITY



PERFORMANCE



RELIABILITY



EXCELLENT TASTE



Direct Motor Drive (operation)

Less noise & Less vibration



Mix Hopper

One, 10 liter (2.64 gallon) x 2EA / Maintain the temperature of mix, under 5°C (41°F) in Auto & Standby modes



Freezing Cylinder

One, 2.7 liter (0.72 gallon) x 2EA



Artificial Intelligence Control System

A.I Control System makes high quality soft serve ice cream.



(P)*Model has Air Pump System

Air Pump increase overrun which makes Soft Serve Ice Cream much smoother and softer



Dimensions

Dimensions	Net	Gross
Width	23" (590 mm)	24" (615 mm)
Depth	35" (900 mm)	37" (930 mm)
Height	60" (1,515 mm)	66" (1,685 mm)
Weight	586 lbs (266 kg)	654 lbs (296.5 kg)

Certification



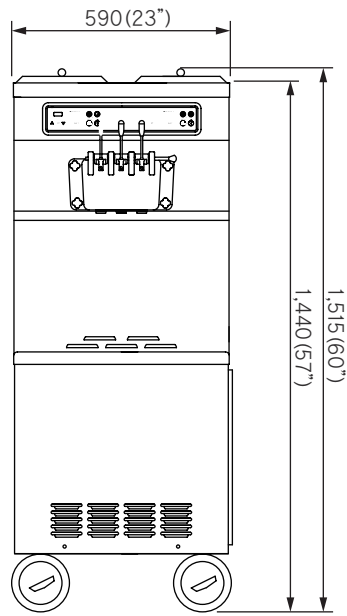
7, GEOMDAN-RO 54BEON-GIL, SEO-GU, INCHEON, KOREA

• TEL : +82-32-814-2160 Ext. 210, 220 • FAX : +82-32-814-1798

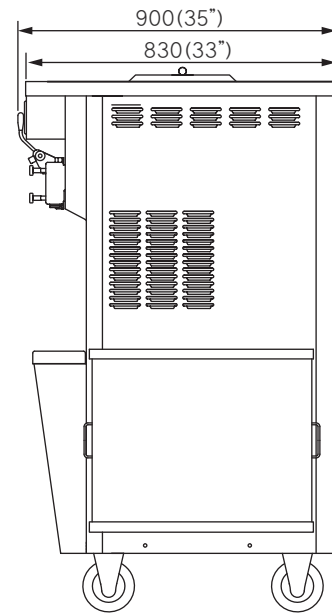
• WEB : www.icetro.com • E-mail : sales@icemaker.co.kr

THREE FLAVOR STAND TYPE SOFT ICE CREAM MACHINE

Dimension – Unit : mm (inch)



FRONT



RIGHT SIDE

Specification

Model	Mix Hopper Capacity	Cylinder Capacity	Consecutive Dispensing	Dasher Motor	Max. Production	First Dispensing
ISI-203SN(P)	10 liter (2.64 gallon) x 2EA	2.7 liter (0.72 gallon) x 2EA	16~40 cups (100 cc/3.5 oz)	0.75 KW x 2EA	42 kg (92.6 lbs/h)	7~11 min
	Cylinder Compressor	Power Consumption	Mix Hopper Compressor	Cooling System	Electrical Option	
	1 HP x 2EA (R-404A)	4,500 W	0.35 HP (R-134A)	Air-Cooled	220~240V/50Hz/1PH 208~230V/60Hz/1PH 380~420V/50Hz/3PH 208~230V/60Hz/3PH	

※ Production Capacity may vary depending on ambient temperature.

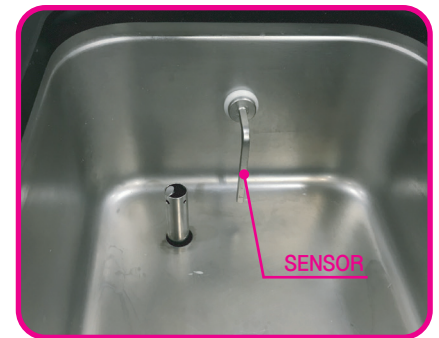
Detail View



Simple & Easy to access operating / control system on the front touch panel



Pull out to remove the Air filter at the bottom of the right side



Automatically Detect MIX OUT & MIX LOW by the sensor

※ Design and Specification are subject to change without notice.