

UFP-0399 Flake Ice Machines

Model

UFP-0399A



Model UFP-0399A
Flake Ice Machine

Standard Features

- Up to 175 kg (386 lbs) daily flake ice production.
- Up to 55 kg (121 lbs) ice storage capacity.
- Flake ice is perfect for food display, salad bars, and cold therapy/healthcare.
- High load maintenance free bearings for enhanced reliability.
- Heavy duty stainless steel cabinet resists corrosion.
- Easy access door, slides up & out of the way.



Standard Equipment

UFP-0399A

Ice Scoop, 6" Bin Legs, Alternate Low Profile Legs Standard Legs Adjustable from 4-1/2" to 6" Low Profile Non-Adjustable 1/4"

Ice Machine Electric

220-240/50/1 ice machines are factory pre-wired with a 6' (180 cm) power cord with no plug.

Ave. power consumption: 700 W

Maximum fuse size: 10 amps.

HACR-type circuit breakers can be used in place of fuses

Specifications

Condenser Heat of Rejection (BTU per hour):

2,181 (average)

Compressor:

Nominal rating: 3/4 HP

Refrigerant:

R290

Operating Limits:

- Ambient Temperature Range: 50°-110°F (10°-43°C)
- Water Temperature Range: 37°-90°F (3°-32°C)
- Water Pressure Ice Maker Water In: Min. 14 psi (1 bar) Max. 84 psi (6 bar)

Ice Shape

Flake ice is small hard bits of ice ideally suited for presentation applications.



Ice shown actual size



COMPANY WITH QUALITY SYSTEM

www.manitowocice.com

Welbilt Deutschland GmbH
Auf der Weih 11
D - 35745 Herborn,
Germany
Tel.: +49 27 72 58 050
welbilt.com.de

Welbilt Iberia, S.A.U
Textil, 6 - Pol.Ind. La Ferreria
- 08110 Montcada i Reixac
Barcelona, Spain
Tel.: +34 902 20 10 69
welbilt.com.es

Welbilt UK
Ashbourne House, The Guildway,
Old Portsmouth Rd, Guildford
GU3 1LR, United Kingdom
Tel.: +44 1483 464900
www.welbilt.uk



UFP-0399 Flake Ice Machines



Welbilt Deutschland GmbH
 Auf der Weih 11
 D - 35745 Herborn,
 Germany
 Tel.: +49 27 72 58 050
 welbilt.com.de

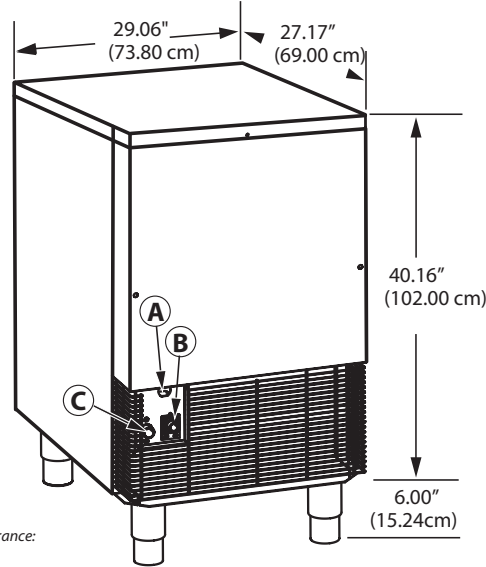
Welbilt Iberia, S.A.U
 Textil, 6 - Pol.Ind. La Ferreria
 - 08110 Montcada i Reixac
 Barcelona, Spain
 Tel.: +34 902 20 10 69
 welbilt.com.es

Welbilt UK
 Ashbourne House, The Guildway,
 Old Portsmouth Rd, Guildford
 GU3 1LR, United Kingdom
 Tel.: +44 1483 464900
 www.welbilt.uk



UFP-0399

- Ⓐ Electrical Entrance
- Ⓑ 3/8" (0.95 cm) N.P.T. Ice Making Water Inlet
- Ⓒ 1/2" (1.27 cm) N.P.T. Ice Making Water Outlet



Installation Note
 Minimum installation clearance:
 Sides: 2" (5 cm)
 Back: 8" (20 cm)

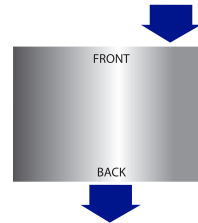
Space-Saving Designs



	UFP-0399
Height	46.16" 117.24 cm
Width	29.06" 73.80 cm
Depth	27.17" 69.00 cm
Bin Storage	121 lbs. 55 kgs

Height includes adjustable bin legs 4.50" to 6.00"
 (11.43 cm to 15.24 cm) set at 6.00" (15.24 cm).

Air Flow Overhead View



Air-cooled Ice Machine	Model	Ice Shape	Ice Production 24 Hours		Power kWh/100 lbs @ 90° Air/70°F 32° Air/21°C	Potable Water Usage (100 lbs./ 45.4 kgs of Ice)	Bin Storage	Shipping Weight
			70° Air/50°F Water 21° Air/10°C Water	90° Air/70°F Water 32° Air/21°C Water				
			UFP-0399A	Flake				

"A" following model number indicates "Air" condensing unit.

Welbilt Deutschland GmbH
 Auf der Weih 11
 D - 35745 Herborn,
 Germany
 Tel.: +49 27 72 58 050
 welbilt.com.de

Welbilt Iberia, S.A.U
 Textil, 6 - Pol.Ind. La Ferreria
 - 08110 Montcada i Reixac
 Barcelona, Spain
 Tel.: +34 902 20 10 69
 welbilt.com.es

Welbilt UK
 Ashbourne House, The Guildway,
 Old Portsmouth Rd, Guildford
 GU3 1LR, United Kingdom
 Tel.: +44 1483 464900
 www.welbilt.uk

www.manitowocice.com

