

DSA SERIES MODELS

FULLY AUTOMATIC VENTLESS COUNTERTOP DEEP FRYER

Advanced by Design



- FULLY AUTOMATED COOKING SYSTEM
- FRONT LOADING/ FRONT DISPENSING
- SMALL FOOTPRINT
- PROGRAMMABLE PRESETS
- ODORLESS
- INTEGRAL VENTLESS HOOD
- LARGEST OUTPUT
- EASY TO CLEAN
- FULLY ENCLOSED
- OPTIONAL INFRA-RED, CERAMIC HEAT LAMP AND OIL DRAINAGE KIT
- NON-STICK BASKET



PERFECT FRY COMPANY
42 Allen Martin Drive
Essex Junction, VT 05452

Phone: (802) 658-6600
Fax: (802) 864-0183

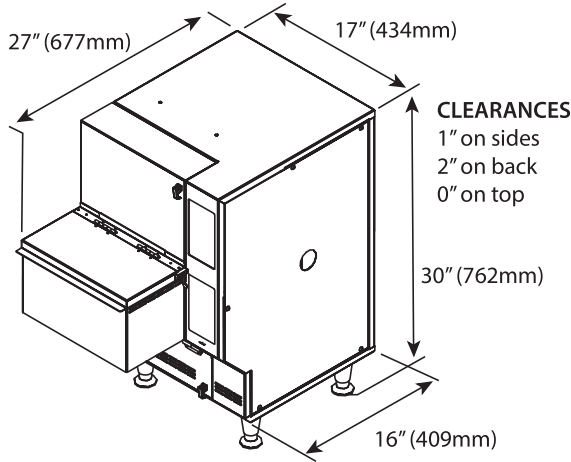
www.perfectfry.com

The Benchmark in Ventless Deep Frying

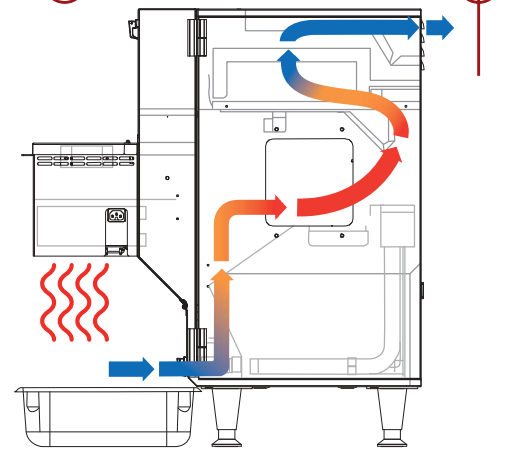


P/N 83715 Rev B (2/21)

CLEARANCES



AIRFLOW DIAGRAM



SPECIFICATIONS TABLE

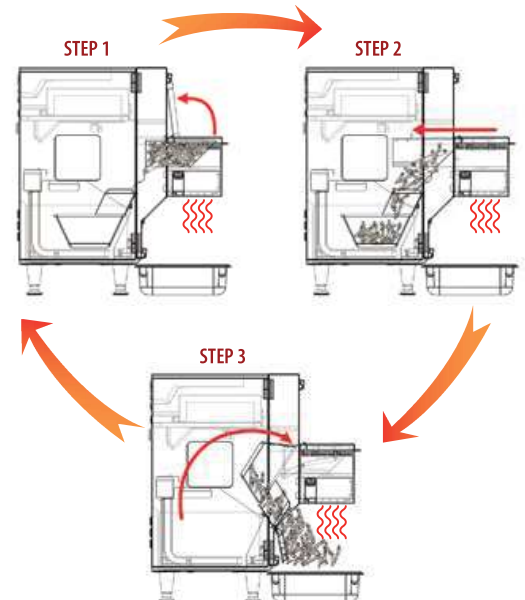
MODEL	DSA720	DSA720	DSA570	DSA375
Power Supply (volts)	240	400/230Y 3 Phase	240	240
Current (amps)*	32	10.4	26	18.0
Cord Option	Field Wired	Field Wired	Field Wired	Field Wired
Power (kilowatts)	7.6	7.6	6.1	4.2
Capacity (kg/hr)**	40 kg (90 lbs)	40 kg (90 lbs)	31 kg (70 lbs)	18 kg (40 lbs)

ADVANCED ELECTRONIC CAPABILITIES

- COOK TIME SENSITIVITY (CTS)[™]
- PRESET COUNTERS
- FOOD TYPE SENSITIVITY (FTS)[™]
- STAND-BY MODE
- DUAL LOAD COOK CYCLE
- HOLD TIME MONITOR

RAPIDFRY[™] TECHNOLOGY

RapidFry[™] technology allows the operator to pre-load food into the drawer while other food product is frying in the cooking oil. The second load of food will automatically begin cooking once the first cook cycle is completed.



GENERAL SPECIFICATIONS

Heat Lamp (see below)	Separate Electrical
Phase	Single Phase (3 wire), 3 Phase (5 wire)
Cycles	50/60 Hz
Weight	125 lbs (57 kg)
Shipping Weight	135 lbs (62 kg)
Shipping Dimensions	Depth 25" (635 mm) Width 22" (559 mm) Height 30" (762 mm)
Shipping Cube	9.52 ft ³ (.271 m ³)
Oil Capacity	2.75 US Gallons (11 L)
Product Capacity	3 lbs per load

* For use on an individual branch circuit. This fryer must be properly connected to a grounded, dedicated phase circuit according to local installation standards and codes.

** Using 11/2 minute fast fries

**** Locking cabinet option also available

ACCESSORIES

HEAT LAMP
 2 amp, 240 volt, 500 watts
 Ordered separately as accessory

