

Halcyon AMH91

pass through
DISHWASHER

halcyon®

Halcyon **AMH91** Features

- **1 year warranty**
- Three button bright LED display with soft touch controls and alarms menu
- Dosing set up by fascia controls
- Breaktank as standard
- Accurate detergent and rinse aid peristaltic dosing pumps
- Easy clean parallel wash and rinse arm assembly
- Surface scrap tray filters as standard



Supplied with one pegged (capable of holding 18 10" plates), one open rack (capable of holding 25 pint glasses) and cutlery insert.

Additional racks can be purchased at point of order: **Z972001** & **Z972003**



Drain pump version
available: **AMH91 D**

For additional information contact our Sales Team on

T: **0345 130 8070** E: **sales@maidaid-halcyon.co.uk** or visit **www.maidaid.co.uk**

Halcyon AMH91

pass through DISHWASHER



halcyon®

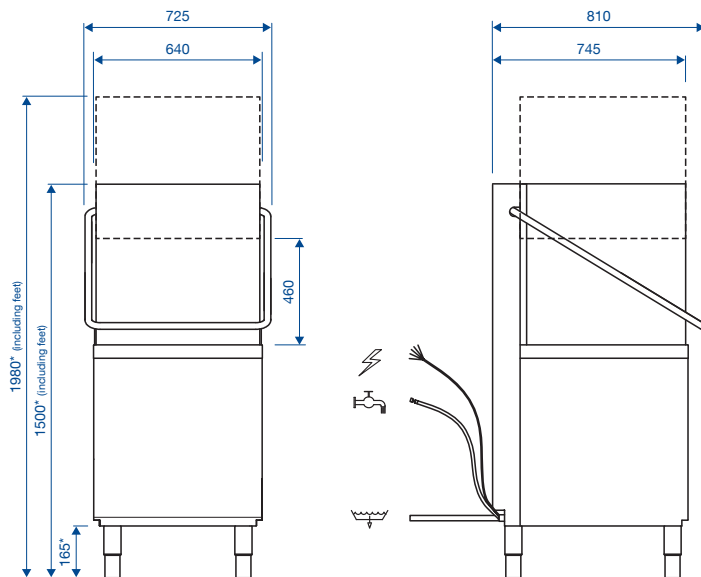
Technical Data

Dimensions (W x D x H)	mm	640 x 745 x 1335 + Feet	Wash tank element	kW	2.1
Feet height	mm	165-225	Boiler element	kW	6.0
Rack size	mm	500 x 500	Wash pump	kW	0.47
Maximum useable height	mm	435	Tank capacity	L	15
Door opening	mm	460	Noise emission	dB	≤ 65
Theoretical productivity	Racks/h	40			
Effective productivity	Racks/h	30*			

*Allowing 30 seconds for reloading
Cycle times may vary depending on local conditions/services

Installation Diagram –

All services must be within 1 meter



*Height-adjustable feet + 60mm



Power



Water supply
2 – 4 bar



Gravity drain

Packaging Specs

Gross weight	Kg	95
Cubic volume	m ³	0.98
Dim. (W x D x H)	mm	760 x 840 x 1520

Power Supply

Installed power	AMP	kW
230V – 50Hz – 1N	20	4.5
	30*	6.5
Optional 3 Phase config	Total load 6.5kW	
Fused	16 amp	

*Standard configuration

Water Connection

Inlet water pressure	Bar	2 to 4
Flow rate L/Min	L/Min	6
Water inlet temp	°C	10 to 50
Water connection	BSP	¾"
Waste connection	Ø	Int 29/ext 34

Cycle Information

Number of standard cycles	2	
Standard cycles times	Sec	90/180
Special cycle	Long	
Self-cleaning cycle	Partial clean	
Water consumption per cycle	L	2.5
Wash temperature	°C	60 – adjustable
Rinse temperature	°C	82 – adjustable

For additional information contact our Sales Team on

T: **0345 130 8070** E: **sales@maidaid-halcyon.co.uk** or visit **www.maidaid.co.uk**