

Amana® Commercial

Project #: _____

Item #: _____



Market Regions: **Europe (UK)**

Restaurant Line | Medium & Heavy Volume
This category of microwave oven is ideal for...

Applications

- Fast casual restaurants
- Pubs
- Prep stations
- Family restaurants

Through put potential by oven wattage (items per hour)

Food item	1800W
Mac 'n cheese (pre-cooked) (907g (2lbs))	21
Steamed Shrimp (454g (1lb))	29*
Baked potato (283g (10oz))	21
Fresh Asparagus (227g (8oz))	28*
Chicken Noodle Soup (480ml (16oz))	28
Cinnamon Roll (pre-baked) (171g (6oz))	144

*For best steaming results, use 1800-2100W

All ACP, Inc. commercial ovens are supported by our Culinary Center. Do not hesitate to contact us for any questions regarding food preparation, menu development and cooking times: testkitchen@acpsolutions.com



Medium Volume

Amana® Commercial AFS518TSU Oven

Power Output

- 1800 Watts of power
- Five power levels for consistent, delicious results for frozen, refrigerated and fresh foods - from the freezer to table in minutes.

Easy to Use

- Up to 100 programmable menu items simplifies cooking and ensures consistent results.
- Four stage cooking option with one-touch programming. Reduces prep time, labor and food waste while providing consistent results.
- Multiple quantity pad calculates the proper cooking times for multiple portions.
- User friendly touch controls are easy to use.
- Time entry option for added flexibility.
- Digital display with countdown timer for simple operation and "at-a-glance" monitoring.
- Braille touch pads.
- See-through door and lighted interior for monitoring without opening the door.
- 34 Liter (1.2 cubic ft.) capacity accommodates a 356 mm (14") platter, prepackaged foods and single servings.
- Stackable to save valuable counter space.

Easy to Maintain

- Stainless steel exterior and interior for easy cleaning and a professional look.
- Removable air filter protects oven components.
- Constructed to withstand the foodservice environment.
- CE marked

Optional Accessories

- Cavity shelf (SE10)
- Stainless cart/equipment stands: (CA24, CA30)
- Non-stick baskets (NB10, TB10/S, SB10/S, MB10/S)
- Oven Cleaner and Shield Protectant (CL10*, SH10*, CL10W**, PR10W**)

Service

All products are backed by the ACP, Inc.
24/7 ComServ Support Center



Warranty

Warranty Certificate for this product can be found on the ACP, Inc. website at www.acpsolutions.com/warranty



Safety and Sanitation

This ACP, Inc. product meets and exceeds safety and sanitation standards set for commercial microwave ovens by UL, ETL, NSF, CSA, FDA, ETL EU, and CE



AIA File #:

Specification #:

*Only shipped in U.S.A.

** Only shipped in Europe

225 49th Ave. Dr. SW Cedar Rapids, IA 52404 U.S.A.

800-233-2366

319-368-8120

Fax: 319-368-8198

© 2021 ACP, Inc.
Cedar Rapids, Iowa 52404

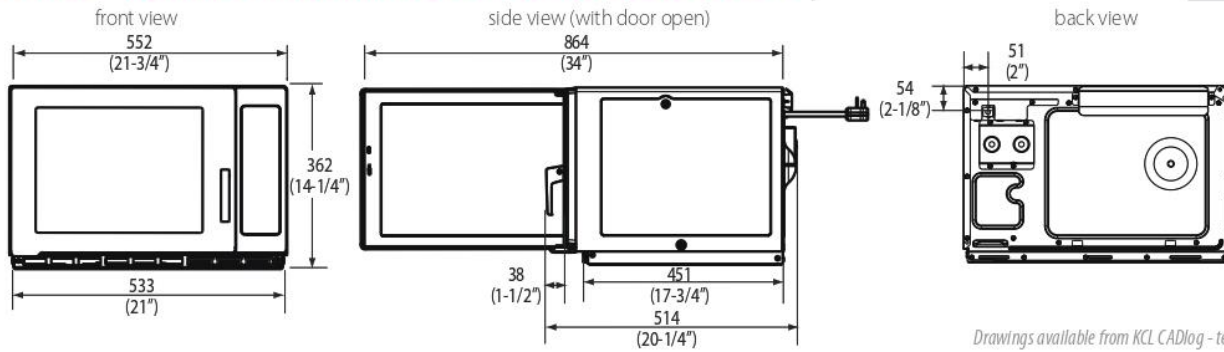
www.acpsolutions.com

Amana is a trademark of Maytag Properties, LLC or its related companies. Manufactured under license by ACP, Inc. Limited warranty provided by manufacturer. © 2021 ACP, Inc.



Amana® Commercial Microwave Model AFS518TSU | Medium Volume

Europe (UK)



Drawings available from KCL CADlog - techs@kclcad.com

Dimensions			
Exterior	H 365 (14 3/8")	W 551 (21 3/4")	D† 533 (21")
Cavity	H 226 (8 7/8")	W 359 (14 1/8")	D 413 (16 1/4")
Usable Cavity Space	34 liter (1.2 cubic ft.)		
Door Depth	864 (34"), 90°+ door open		
Installation Clearance	Top: 51 (2")	Sides: 25 (1")	Back: None
Shipping Carton	H 467 (18 1/2")	W 663 (26 1/8")	D 581 (22 7/8")
Weight			
Model Type	Product Weight	Ship weight (approx.)	UPS Shippable
1200W	30 kg (66 lbs)	32 kg (71 lbs)	Yes
1800W or 2100W	32 kg (70 lbs)	35 kg (77 lbs)	Yes

Features	
Configuration	Countertop
Stackable	Yes
Display	LED
USB Port	No
Control System	Touchpad
Programmable Control	Yes, 10 pads
Braille	Yes
Settings Programmable	100
Max. Cooking Time	60:00
Microwave Distribution	Rotating antennas, top & bottom
Power Levels	5
Defrost	Yes
Time Entry Option	Yes
Multiple Portion Setting	Yes, X2
Stage Cooking	Yes, 4 stages
Interior Light	Yes
Automatic Voltage Sensor	Yes (North America only >1200W)
Air Filter	Yes, 1 removable with cleaning reminder
Signal	End of cycle, adjustable
Door Handle	Lift & Pull
Exterior Finish	Stainless steel
Interior Finish	Stainless steel

Measurements are millimeters. Measurements in () are US Standard
 * IEC 60705 Tested
 † Includes handle
 EMEA = Europe, the Middle East and Africa; APAC = Asia Pacific and Oceania; LATAM = Latin America

Electrical Configuration									
Region	Model#/GTIN	Automatic Voltage Sensor	Power Consumption	Power Output (microwave)	Power Source	Plug Configuration	Cord Length	Frequency	Magnetron
EMEA (UK), APAC single phase	AFS518TSU 728028471274	No	2700 W, 12A	1800W*	230-240V, 50Hz, 13A single phase	BS1363 	1.5m (5 ft.)	2450MHz	2

Specification #:

AIA File #:

ACP INC. 225 49th Ave. Dr. SW, Cedar Rapids, IA 52404 U.S.A.
 800-233-2366 • 319-368-8120 • Fax: 319-368-8198
 www.acpsolutions.com

Part No. 20155304
 Updated 03/16/2021
 © 2021 ACP, Inc., Cedar Rapids, Iowa 52404

an Ali Group Company

