

Microwave Oven

Model

MDm 1800 (UK only model)



Standard Features

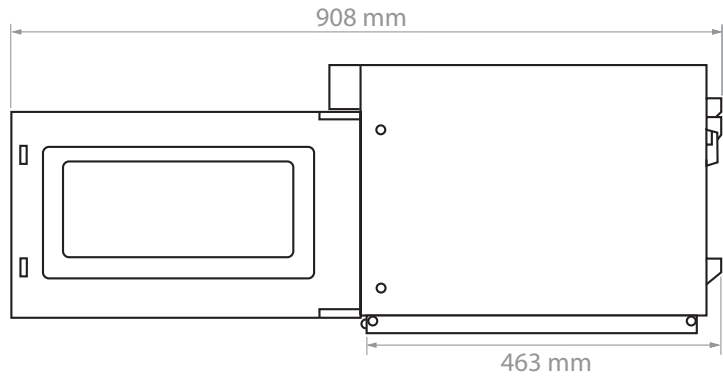
- 1800W power output (IEC 705 rating)
- Ergonomic digital touch pad control & easy to clean interior cavity
- Side opening door allows up to 2 ovens to be stacked vertically
- Fully programmable including multi-stage programming
- Self diagnostics
- Multistage heating allowing automatic shift to different power levels after a designated amount of heating time
- One touch start (in program lock only)
- Cycle counter to analyse usage
- Filter clean function reminding you to remove and clean filter
- Smart LED light saving energy compared to conventional light bulbs
- Smart LED light blinks at the end of a heating cycle to alert the user when heating has completed

Specifications

- Fully commercial medium duty, stainless steel, stackable microwave oven with LCD display and side opening door
- Ideally suited for individual portions or small batch cooking
- User friendly operation
- In-built diagnostics to avoid unnecessary service calls – easy to use fault finding solution

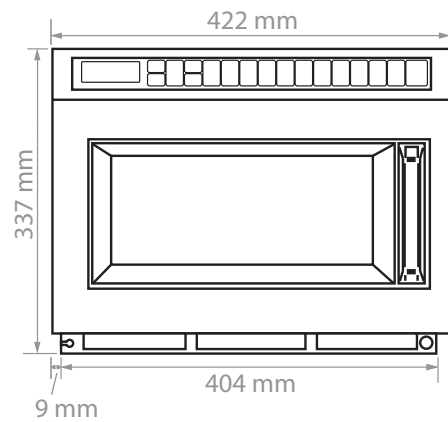
FEATURES

- Timer 30 minutes (digital)
- 10 programs
- Maximum programmable time for single stage heating:
 - Defrost: 30 minutes
 - Off: 30 minutes
 - 25% to 100%: 15 minutes
 - Heat from Top Down: 15 minutes



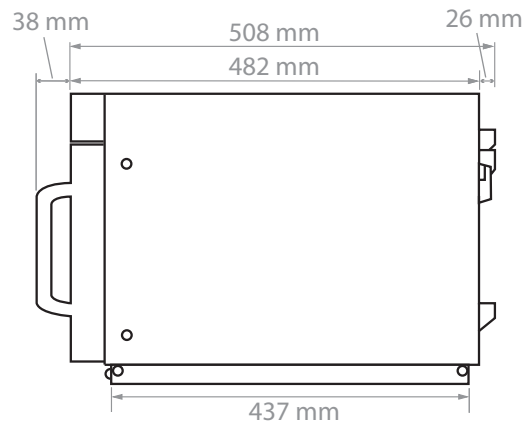
DIMENSIONS

	HEIGHT	WIDTH	DEPTH	WEIGHT
Exterior size	337 mm (13.27")	422 mm (16.61")	508 mm (20.0")	NET 30.0 kg (66.1 lbs) GROSS 31.4 kg (69.2 lbs)
Cavity size	175 mm (6.89")	330 mm (12.99")	310 mm (12.20")	



POWER REQUIREMENTS & OUTPUT

MODEL	POWER INPUT	POWER OUTPUT MICROWAVE (IEC 705) [Magnetron Frequency 2450 MHz]	
MDm 1800 (UK only)	2830 W	1800 W (100 %)	
		Medium High	90 / 80 / 70 / 60 %
		Medium	50 / 40 %
		Low	30 / 25 %
		Defrost	340W
		Off	0%
		Heat from Top Down	50 / 25 %
		Heat from Bottom Up	50 / 25 %



ELECTRICAL SUPPLY				
Country	Voltage	Arrangement	Connections Used	Current/Phase*
UK only	230-240V 50Hz	Single Phase 13A plug BS 1363A	1P N + E	12.3A

*This is not consumption

For further information on Merrychef® products and services or advice on which machine suits you best please contact the Sales Office.

Tel: +44 (0)1483 464901

INSTALLATION INFORMATION

- Away from major heat source.
- Place on a flat surface suitable for weight.
- Allow sufficient clearance to the front of the oven for the door to open fully.

We reserve the right to change specifications appearing in this bulletin without incurring any obligation for equipment previously or subsequently sold.

