



Outperform every day.™

Project:

Item Number:

Quantity:

INTERNATIONAL CONTOURED CARVING STATION

MODELS

46671 Carving Station (Schuko Plug)

46672 Carving Station (UK plug)



Contoured Carving Station

DESCRIPTION

Add personalized meat carving or other slicing options to your serving line or buffet with Vollrath's patented Contoured Carving Station. The angled dual lamps supply heat to keep the food warm while serving. The tabletop design is highly functional, easy to transport and fits into any serving setup. Classic styling complements any decor.

FEATURES

- Heavy-duty contoured chrome-finished steel frame.
- Solid surface base and top.
- Knife-friendly cutting board (Item No.25154) sits securely in the base, and lifts out for easy cleanup. Dishwasher safe. Cutting boards also sold separately.
- Recessed base channels liquids into drip pan. Drip pan is removable for easy cleaning.
- Includes Super Pan V® fourth-size drip pan.
- Includes two 250 watt shatter proof clear heat lamp bulbs. Bulbs also sold separately:
 - Clear bulbs - item number 72252
 - Red bulbs - item number 72251
- Spun aluminum lamp shades dissipate heat.
- Tempered glass breath guard.
- On/off lighted switch on base.
- Rubber feet provide stability and protect tabletop.
- 6 ft. (1.83 m) cord with plug.

Agency Listings



WARRANTY: All models shown come with Vollrath's standard warranty against defects in materials and workmanship. For full warranty details, please refer to www.Vollrath.com.

Due to continued product improvement, please consult www.vollrath.com for current product specifications.

Approvals	Date

The Vollrath Company, L.L.C.
 Headquarters
 1236 North 18th Street
 Sheboygan, Wisconsin
 53081-3201 USA
 Tel: 920-457-4851
 Main Fax: 920-459-6573
www.vollrath.com

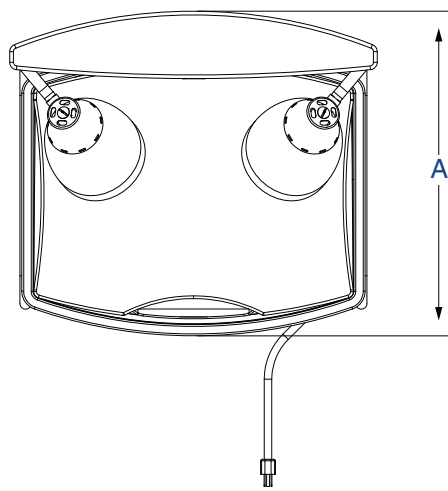
Vollrath Europe BV
 Beneluxbaan 7
 5121 AD RIJEN
 The Netherlands
 +31161870005

Vollrath of China
 Vollrath Shanghai Trading Limited
 29D, 855 South Pu Dong Road
 Shanghai, China 200120
 Tel: 86-21-50589580

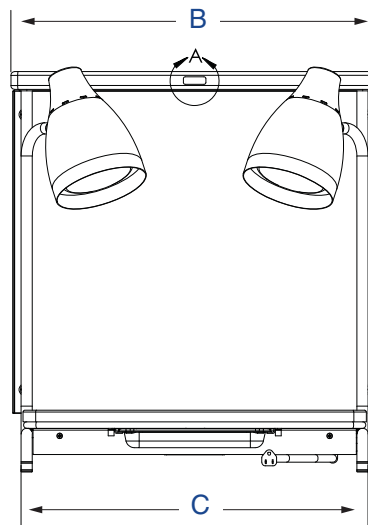
Vollrath de Mexico S. de R.L. de C.V.
 Periferico Sur Edificio 2-C
 Col. Santa Maria Tequepexpan
 45601 Tlaquepaque, Jalisco Mexico
 Tel: (52) 333-133-6767
 Tel: (52) 333-133-6769
 Fax: (52) 333-133-6768

INTERNATIONAL CONTOURED CARVING STATION

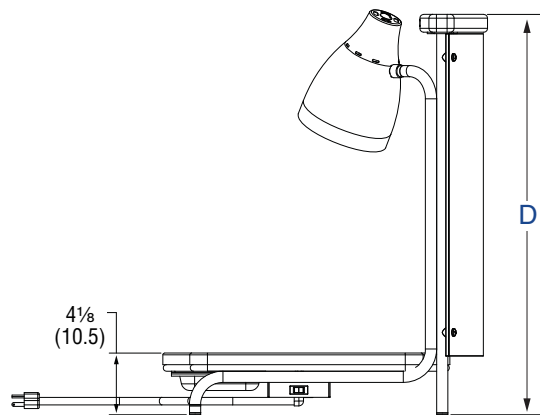
DIMENSIONS (inches (cm))



Top View



Side View

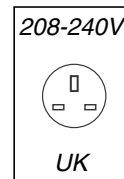
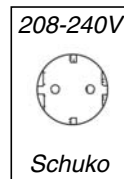


Front View

SPECIFICATIONS

Item	Dimensions				Voltage	Max Watts	Amps	Plug	Shipping Weight LB (KG)
	(A) Depth	(B) Overall Width	(C) Base Width	(D) Height					
46671	21 ⁵ / ₈ (54.9)	24 ¹ / ₂ (62.2)	23 ¹ / ₈ (58.7)	26 ¹ / ₁₆ (67.8)	230V	350	1.5	Schuko	84 (38.1)
46672	21 ⁵ / ₈ (54.9)	24 ¹ / ₂ (62.2)	23 ¹ / ₈ (58.7)	26 ¹ / ₁₆ (67.8)	230V	350	1.5	UK	84 (38.1)

Receptacles



The Vollrath Company, L.L.C.
 Headquarters
 1236 North 18th Street
 Sheboygan, Wisconsin
 53081-3201 USA
 Tel: 920-457-4851
 Main Fax: 920-459-6573
www.vollrath.com

Vollrath Europe BV
 Beneluxbaan 7
 5121 AD RIJEN
 The Netherlands
 +31161870005

Vollrath of China
 Vollrath Shanghai Trading Limited
 29D, 855 South Pu Dong Road
 Shanghai, China 200120
 Tel: 86-21-50589580

Vollrath de Mexico S. de R.L. de C.V.
 Periferico Sur Edificio 2-C
 Col. Santa Maria Tequepexpan
 45601 Tlaquepaque, Jalisco Mexico
 Tel: (52) 333-133-6767
 Tel: (52) 333-133-6769
 Fax: (52) 333-133-6768