


Upright Cabinets

# T-23DT-HC

 Upright Foodservice "Dual Temperature" Cabinet, 2 Half Solid Swing Doors



Dimensions		Build		Technical	
External Width (mm)	686	Door Description	2 Half Solid Swing Doors	Temperature Holding	0.5 : 3.3°C, -23°C
External Depth (mm)	750	Door Opening	Right (standard) or Left.	Refrigerant	R290
External Height (mm)	2074	Exterior Construction	Stainless steel front, aluminium sides & rear	Voltage / Frequency / Phase	220-240V/50-60/1
Exclusions	Depth does not include 13 mm for rear access panel.	Interior Construction	Clear coated aluminium, stainless steel base	Amps	2.3
Net Volume (Litres)	356	Air Intake Position	Front	Wattage	529
Gross Volume (Litres)	651	Ventilation Position	Rear	Climate Class	5
Supplied Shelves	4	Clearance Required	26 mm rear, zero sides	Operating Statement	Heavy Duty: This appliance is intended for use in ambient temperatures up to 40°C.
Shelf Size (L x D mm)	582 x 591	Cord Length (Meters)	2.74	Testing Standard	EN 16825
Internal Net Height (mm)	650 + 450	Internal Lighting	LED	EEC	D
Unpackaged Weight (kg)	141	Standard w/ Locks	standard	EEL	57.1
Packaged Weight (kg)	152			kWh/24hr	5.04
Packaged Dimensions (W x D x H mm)	909 x 788 x 2134			kWh/Annum	1840
Supplied Supports	ø 64 mm castors (83 mm height)			Defrost Type	Auto



Specifications subject to change without notice.  
 Technical data above related to energy use based on testing of 50Hz or Dual Frequency models  
 Chart dimensions rounded up to the next whole millimeter (inches rounded up to the 1/8")

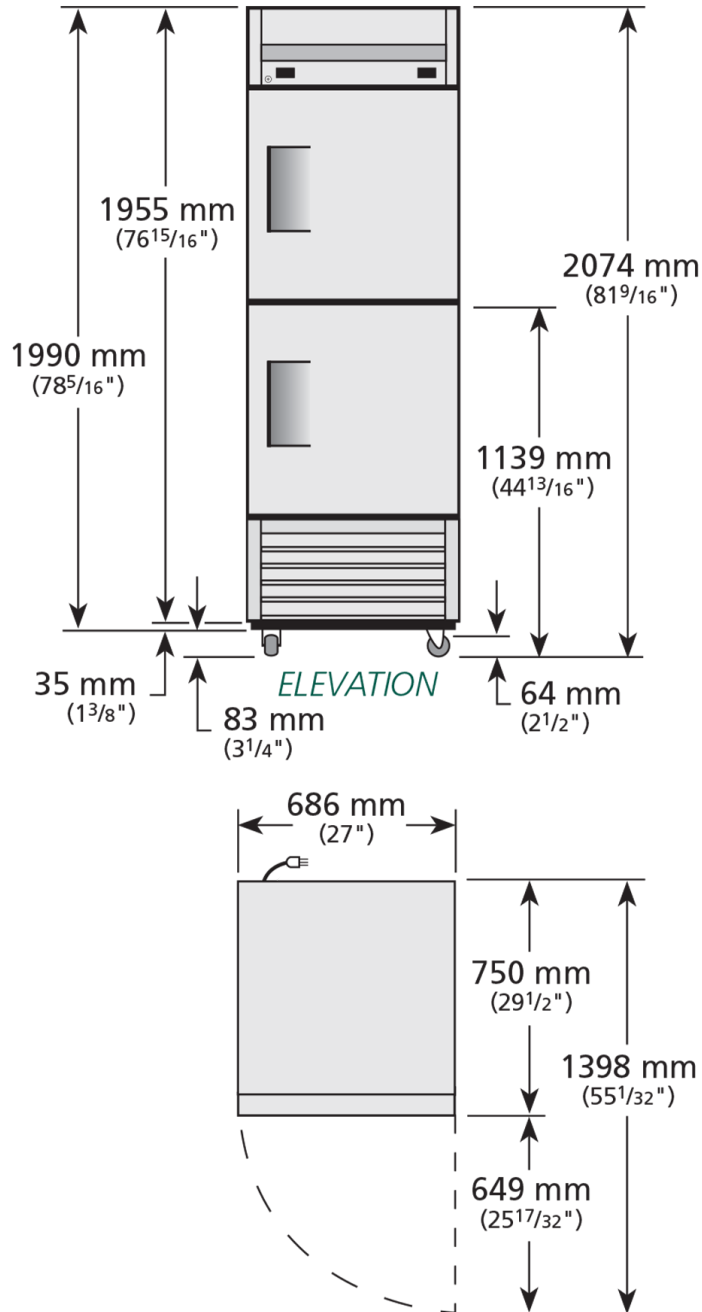
UK & Ireland [0800 783 2049](tel:08007832049)  
 EMEA [+41 61 563 07 05](tel:+41615630705)  
 Australia [+61 2 9619 9999](tel:+61296199999)

[TFIUK@truemfg.com](mailto:TFIUK@truemfg.com)  
[TrueCHCustomerService@truemfg.com](mailto:TrueCHCustomerService@truemfg.com)  
[TrueRefAus@truemfg.com](mailto:TrueRefAus@truemfg.com)



# T-23DT-HC

🇬🇧 Upright Foodservice "Dual Temperature" Cabinet, 2 Half Solid Swing Doors



Specifications subject to change without notice.  
 Technical data above related to energy use based on testing of 50Hz or Dual Frequency models  
 Chart dimensions rounded up to the next whole millimeter (inches rounded up to the 1/8")

UK & Ireland [0800 783 2049](tel:08007832049)  
 EMEA [+41 61 563 07 05](tel:+41615630705)  
 Australia [+61 2 9619 9999](tel:+61296199999)

[TFIUK@truemfg.com](mailto:TFIUK@truemfg.com)  
[TrueCHCustomerService@truemfg.com](mailto:TrueCHCustomerService@truemfg.com)  
[TrueRefAus@truemfg.com](mailto:TrueRefAus@truemfg.com)

