



Outperform every day.™

**Project:**  
**Item Number:**  
**Quantity:**

**INTERNATIONAL MIRAGE® 16" X 23" INDUCTION BUFFET WARMERS**



**ITEMS**

Item No.	Model No.	Description	Plug
595087502	59508XX	Countertop, Black	Schuko
595087503			UK
595087504			China
595087505			Australia
595088002		Countertop, Natural	Schuko
595088003			UK
595088004			China
595088005			Australia
59508DW02		Drop-in	Schuko
59508DW03			UK
59508DW04			China
59508DW05			Australia

**FEATURES**

- Connect up to three warmers with the included interconnect cords. The center warmer must connect to the electrical outlet.
- Up to four warmers (at maximum power) can be connected to a 10 amp circuit
- Storage compartment under warmer holds cords
- Touch controls
- Four power levels
- LED indicator lights on control panel and glass top
- Tempered ceramic glass top is strong, non-porous, easy to clean
- Low profile design focuses on the food and compliments decor
- Drop-in warmers can be installed overhanging countertop or countersunk
- 6 ft. (183 cm) cord with plug
- 37½ in. (95 cm) interconnect cord
- 5 ft. (152.4 cm) USB cable for remotely mounted control box for drop-in warmers

**ACCESSORIES**

- 4644080 Non-Slip Mat - 9" x 8" (22.9 x 20.3 cm)
- 4644070 Non-Slip Mat - 16" x 8" (40.6 x 20.3 cm)

**CLEARANCE AND ENVIRONMENT REQUIREMENTS**

- For use with induction-ready serving vessels.
- Countertop models require a distance equal to the height of the feet of the warmer.
- Drop-in models require a minimum of 2" (5 cm) of space between all four sides of the induction warmer and any surrounding surface, and a minimum 12" (30.5 cm) between the bottom of the induction warmer and any surrounding surface.
- Control box for drop-in models requires a minimum of 4" (10 cm) behind the control box and any surrounding surface.
- All models require unrestricted intake and exhaust air ventilation for proper operation of the controls. The maximum intake temperature must not exceed 110°F (43°C). Temperatures are measured in ambient air while all appliances in the kitchen are in operation.

**DESCRIPTION**

Maximize your menu offerings without maxing out your electrical capacity with the Mirage® 16" x 23" Induction Buffet Warmers. The low wattage warmers can be interconnected to one electrical outlet, which simplifies the planning and management of power cords, access to outlets and load capacity. Available in countertop and drop-in styles, these warmers are ideally suited for buffet and catering operations

These induction buffet warmers are designed to work with a maximum of one induction-ready chafer or serving vessel.

The Mirage® 16" x 23" Induction Buffet Warmers are equipped with a variety of safety features including:

- Over-heat protection
- Small-article detection
- Pan auto-detection function
- Empty-pan shut-off

**WARRANTY**

All models shown come with Vollrath's standard warranty against defects in materials and workmanship. For full warranty details, please refer to [www.vollrath.com](http://www.vollrath.com).

**AGENCY CERTIFICATIONS**



Due to continued product improvement, please consult [www.vollrath.com](http://www.vollrath.com) for current product specifications.

Approvals	Date

The Vollrath Company, L.L.C. Headquarters  
1236 North 18th Street  
Sheboygan, Wisconsin  
53081-3201 USA  
Main Tel: 800-624-2051 or 920-457-4851  
Main Fax: 800-752-5620 or 920-459-6573  
Canada Customer Service: 800-695-8560  
Tech Services: [techservices@vollrathco.com](mailto:techservices@vollrathco.com)  
[www.vollrath.com](http://www.vollrath.com)

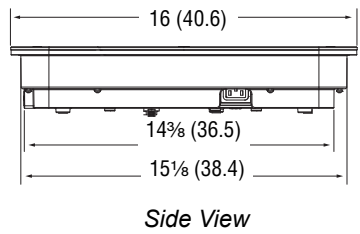
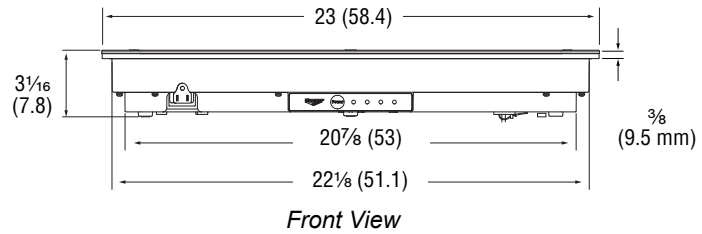
Pujadas  
Ctra. de Castanyet,  
132 P.O. Box 121  
17430 Santa Coloma de Farners  
(Girona) – Spain  
Tel. +34-972-84-32-01  
[info@pujadas.es](mailto:info@pujadas.es)

Vollrath of China  
Vollrath Shanghai Trading Limited  
23A, Time Square Plaza | 500  
Zhang Yang Road  
Pudong, Shanghai 200122  
Tel: 86-21-50589580

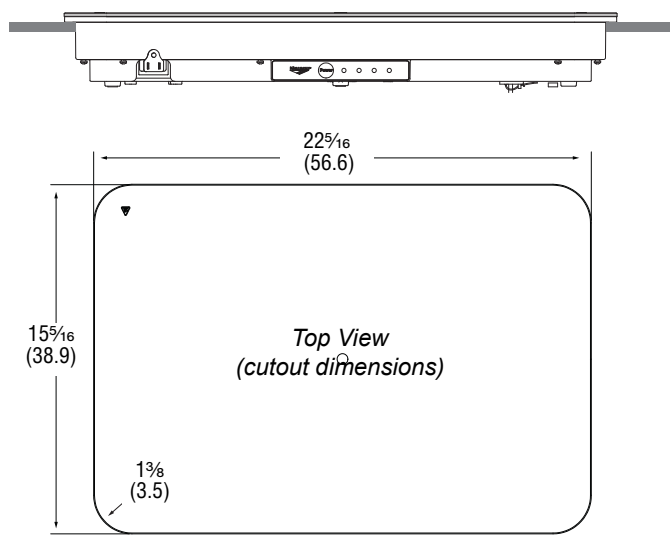
Vollrath de Mexico S. de R.L. de C.V.  
Periferico Sur No. 7980 Edificio 4-E  
Col. Santa Maria Tequepexpan  
45600 Tlaquepaque, Jalisco | Mexico  
Tel: (52) 333-133-6767  
Tel: (52) 333-133-6769  
Fax: (52) 333-133-6768

# INTERNATIONAL MIRAGE® 16" X 23" INDUCTION BUFFET WARMERS

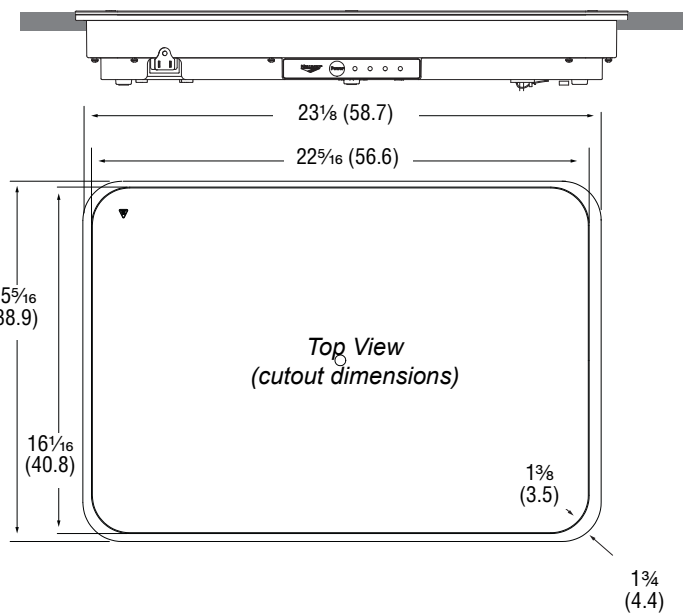
## DIMENSIONS (Shown in inches (cm))



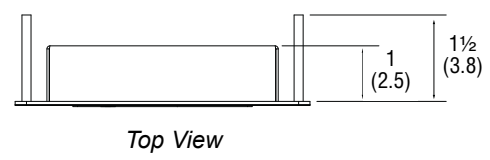
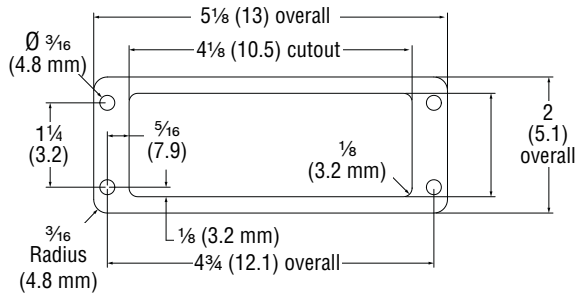
### Drop-in Model, Overhung Installation



### Drop-in Model, Countersunk Installation



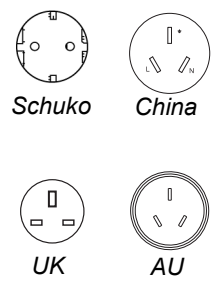
### Control Box (drop-in models only)



## SPECIFICATIONS

Item No.	Description	Max Pan Size	Watts	Volts	Amps	Hz	Plug	Weight LB (KG)
595087502	Countertop, Black	10 1/4" x 17 1/4" (26 x 43.8cm)	375	230	1.63	50/60	Schuko	14.9 (6.8)
595087503							UK	
595087504							China	
595087505	Australia							
595088002	Countertop, Natural						Schuko	
595088003							UK	
595088004		China						
595088005	Drop-in	Australia						
59508DW02		Schuko						
59508DW03		UK						
59508DW04		China						
59508DW05		Australia						

### Receptacles



The Vollrath Company, L.L.C. Headquarters  
 1236 North 18th Street  
 Sheboygan, Wisconsin  
 53081-3201 USA  
 Main Tel: 800-624-2051 or 920-457-4851  
 Main Fax: 800-752-5620 or 920-459-6573  
 Canada Customer Service: 800-695-8560  
 Tech Services: techservicereps@vollrathco.com  
 www.vollrath.com

Pujadas  
 Ctra. de Castanyet,  
 132 P.O. Box 121  
 17430 Santa Coloma de Farners  
 (Girona) – Spain  
 Tel. +34-972-84-32-01  
 info@pujadas.es

Vollrath of China  
 Vollrath Shanghai Trading Limited  
 23A, Time Square Plaza | 500  
 Zhang Yang Road  
 Pudong, Shanghai 200122  
 Tel: 86-21-50589580

Vollrath de Mexico S. de R.L. de C.V.  
 Periferico Sur No. 7980 Edificio 4-E  
 Col. Santa Maria Tequepepan  
 45600 Tlaquepaque, Jalisco | Mexico  
 Tel: (52) 333-133-6767  
 Tel: (52) 333-133-6769  
 Fax: (52) 333-133-6768