



Outperform every day.™

Project:
Item Number:
Quantity:

INTERNATIONAL MIRAGE® STANDARD DROP-IN INDUCTION WARMERS



Mirage® Standard Drop-in Induction Warmers

DESCRIPTION

The high-efficiency, standard drop-in induction warmer is designed for use in buffet stations with induction-ready chafers and serving pieces.

The ceramic top is easily cleaned with a mild cleaner.

The induction warmer is equipped with a variety of safety features including:

- Over-heat protection
- Small-article detection
- Pan auto-detection function
- Empty-pan shut-off

Agency Listings



Due to continued product improvement, please consult www.vollrath.com for current product specifications.

ITEMS

- 59641 Drop-in Warmer – Schuko Plug
- 59642 Drop-in Warmer – UK Plug
- 59643 Drop-in Warmer – China Plug
- 59645 Drop-in Warmer – AU Plug

FEATURES

- G4 engine for long life
- 5 power levels
- Variable-speed knob for fast adjustment
- 180 minute timer
- 90% efficiency rating
- Control box displays HOT when drop-in is turned off if the top is still hot
- Digital display is easy to clean and read
- Drop-in has 6-ft. (183 cm) cord with plug
- Control box cable is 59 inches (1.5 meters)

NOTICE: This appliance is intended for use with induction-ready cookware.

WARRANTY

One year parts and labor. See Vollrath.com for full warranty details.

CLEARANCE AND ENVIRONMENT REQUIREMENTS

All models require unrestricted intake and exhaust air ventilation for proper operation of the controls. The maximum intake temperature must not exceed 110°F (43°C). Temperatures are measured in ambient air while all appliances in the kitchen are in operation.

Minimum Clearances:

- Sides: 2 inches (5.1 cm)
- Below: 12 inches (30.5 cm)

| Approvals | Date |
|-----------|------|
| | |

The Vollrath Company, L.L.C. Headquarters
 1236 North 18th Street
 Sheboygan, Wisconsin
 53081-3201 USA
 Main Tel: 800-624-2051 or 920-457-4851
 Main Fax: 800-752-5620 or 920-459-6573
 Canada Customer Service: 800-695-8560
 Tech Services: techservices@vollrathco.com
www.vollrath.com

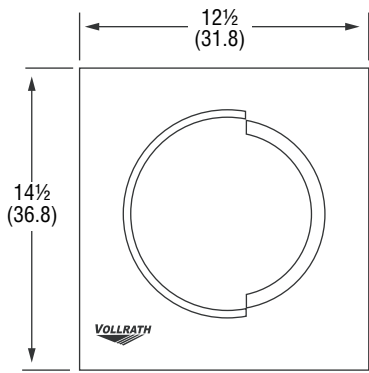
Vollrath Europe BV
 Beneluxbaan 7
 5121 AD RIJEN
 The Netherlands
 +31161870005

Vollrath of China
 Vollrath Shanghai Trading Limited
 23A, Time Square Plaza | 500
 Zhang Yang Road
 Pudong, Shanghai 200122
 Tel: 86-21-50589580

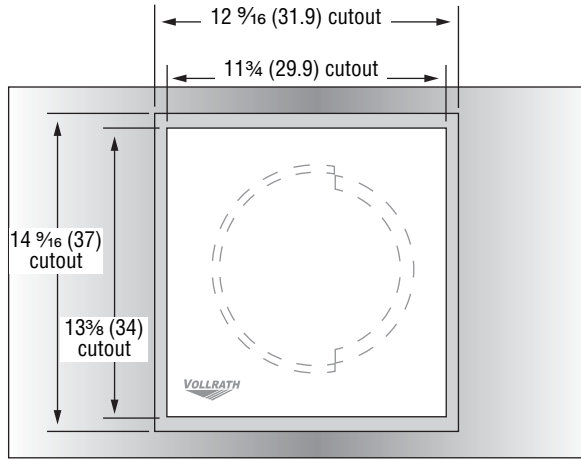
Vollrath de Mexico S. de R.L. de C.V.
 Periferico Sur No. 7980 Edificio 4-E
 Col. Santa Maria Tequepexpan
 45600 Tlaquepaque, Jalisco | Mexico
 Tel: (52) 333-133-6767
 Tel: (52) 333-133-6769
 Fax: (52) 333-133-6768

INTERNATIONAL MIRAGE® STANDARD DROP-IN INDUCTION WARMERS

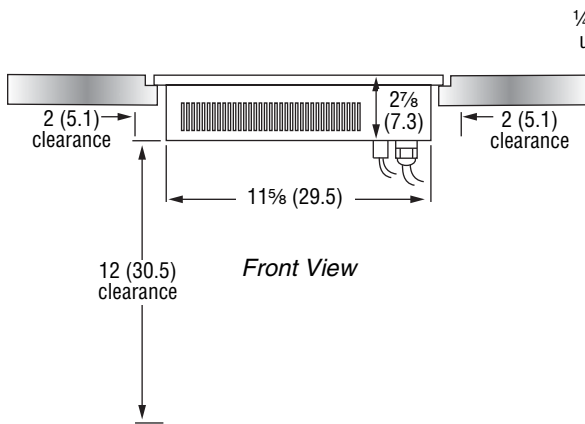
DIMENSIONS (Shown in inches (cm))



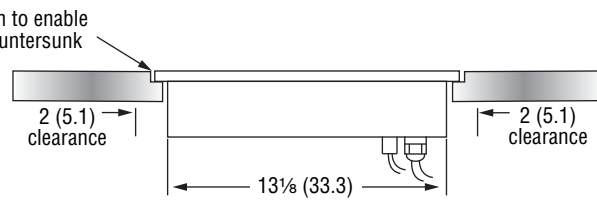
Top View



Top View

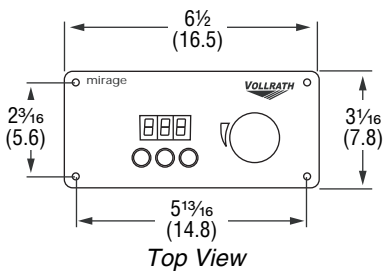


Front View

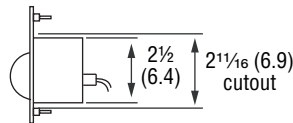


Side View

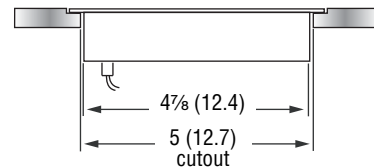
Control Box



Top View



Side View

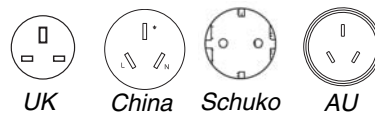


Front View

SPECIFICATIONS

| Item No. | Max Pan Size | Volts | Watts | Amps | Phase | Hz | Plug | Weight Lb (Kg) |
|----------|--------------|-------|-------|------|--------|-------|--------|----------------|
| 59641 | 14 (35.6) | 230 | 650 | 2.8 | Single | 50/60 | Schuko | 12 (5.4) |
| 59642 | | | | | | | UK | |
| 59643 | | | | | | | China | |
| 59645 | | | | | | | AU | |

Receptacles



The Vollrath Company, L.L.C. Headquarters
 1236 North 18th Street
 Sheboygan, Wisconsin
 53081-3201 USA
 Main Tel: 800-624-2051 or 920-457-4851
 Main Fax: 800-752-5620 or 920-459-6573
 Canada Customer Service: 800-695-8560
 Tech Services: techservicereps@vollrathco.com
 www.vollrath.com

Vollrath Europe BV
 Beneluxbaan 7
 5121 AD RIJEN
 The Netherlands
 +31161870005

Vollrath of China
 Vollrath Shanghai Trading Limited
 23A, Time Square Plaza | 500
 Zhang Yang Road
 Pudong, Shanghai 200122
 Tel: 86-21-50589580

Vollrath de Mexico S. de R.L. de C.V.
 Periferico Sur No. 7980 Edificio 4-E
 Col. Santa Maria Tequepexpan
 45600 Tlaquepaque, Jalisco | Mexico
 Tel: (52) 333-133-6767
 Tel: (52) 333-133-6769
 Fax: (52) 333-133-6768