



## F63/700 - IMC IMClean Junior Reduced Height Mobile Hand Wash Station without Heater - inc. S/back, Soap & Paper Towel Holder - W 520mm

The junior mobile hand wash station - for schools who need to add to their existing reduced height hand wash facilities. Without the need for water or electrical supplies, it can be located anywhere, whether that be in the middle of the playground or in the entrance to the school.

- ✓ Reduced 700 mm height - easy for children to reach the sink
- ✓ Provides hand washing facility in locations where mains water and electricity aren't available
- ✓ Ideal for increasing hygienic hand washing facilities wherever required - just fill and go!
- ✓ 20 litres per fill, dispenses up to 100ml per foot press, delivering 200 dispenses from one full tank
- ✓ Foot operated dispenser to also control the volume of water needed
- ✓ Tap dispenses via foot action, ensures hygienic operation, with no need for hand contact
- ✓ Internal waste collection - no need for drainage
- ✓ Large wheels make the hand wash station quick and easy to move
- ✓ Constructed from sturdy and hygienic stainless steel, including handy accessories, making it easy to wipe clean
- ✓ Supplied with splashback and space for soap dispenser and paper towels, for easy and convenient access to soap and towels
- ✓ Optional bin ring available providing a handily located bin for disposal of paper towels

### Specifications

#### Summary

<b>Brand</b>	IMC
<b>Range</b>	IMClean
<b>Series</b>	Mobile Hand Wash
<b>Available in UK Only</b>	No
<b>UK Warranty</b>	1 Year Parts and Labour Warranty
<b>Export Warranty</b>	Contact your local dealer
<b>GTIN</b>	5056105121473

#### Power and Performance

<b>Water Temperature °C</b>	Ambient
<b>Drain Method</b>	Flexible pipe to removable waste container

#### Key Specifications

<b>Waste Collection</b>	Internal removable container [supplied]
<b>Outlet</b>	Manual operated foot pump
<b>Number of Sinks</b>	1

#### Capacity

<b>Capacity Litres</b>	20
------------------------	----

#### Weights and Dimensions

<b>Unit Height (External) mm</b>	1003
<b>Unit Width (External) mm</b>	520
<b>Unit Depth (External) mm</b>	592
<b>Height to Sink mm</b>	700
<b>Net Weight Kg</b>	24

#### Supply Connections

<b>Requires Installation</b>	No
<b>Requires Electrical Supply</b>	No

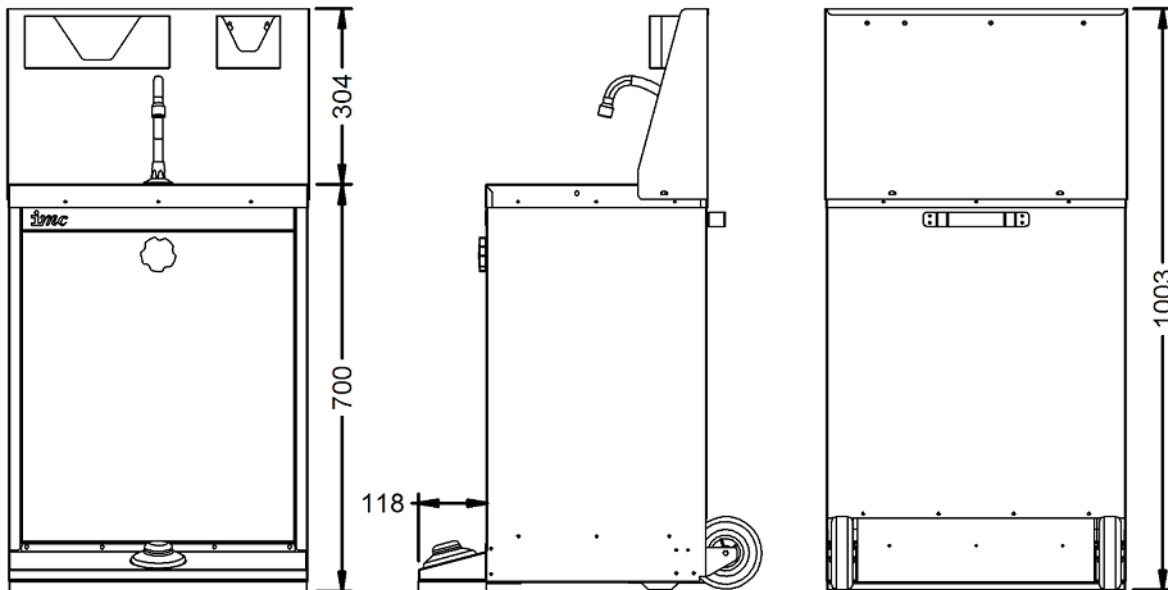
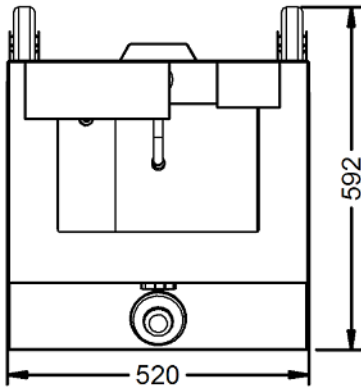
#### Shipping

<b>Packed Weight Kg</b>	26.4
<b>Packed Height cm</b>	115
<b>Packed Width cm</b>	57
<b>Packed Depth cm</b>	67.5

**Available Accessories**

- S63/222** Bin Bag Holder for Mobile Hand Wash Station [inc. 20 x Bin Bags]
- S63/223** Bin Bags for Mobile Hand Wash Station [Pk 20][fits S63/222 Holder]

**Technical Picture**





**Lincat Limited**

Whisby Road,  
Lincoln, LN6 3QZ,  
United Kingdom

**Company No:** 2175448

A member company of



**Customer Care**

**Tel:** +44 1522 875500  
**Email:** care@lincat.co.uk

**Export Customers**

**Tel:** +44 1522 875536  
**Email:** export@lincat.co.uk

**Opening Hours**

**Monday – Friday:**  
8.30am – 5pm