



C6R/105SR - Lincat Seal  
650 Series Counter-top  
Curved Front  
Refrigerated  
Merchandiser - Self-  
Service - Side-Mounted  
Power Pack [Right] - W  
1050 mm - 0.6 kW

Enhance your food sales by showcasing sandwiches, baguettes, yoghurts, fruit and drinks in the Seal 650 Range Curved Front Refrigerated Merchandiser.

- ✓ Using precise thermostatic control this unit holds food from 3°C - 7°C. It enables the user to accurately monitor the temperature of product for the absolute best results
- ✓ Provides daylight balanced illumination, which lights up the units interior and spotlights each product
- ✓ Digital display which gives clear indication of temperature to the user
- ✓ Options for self service or back service are also available.
- ✓ The unit is double glazed which keeps the cool air locked in, this in turn gives the customer better results while also saving money through energy efficiency.
- ✓ Spacious unit enabling you to showcase a wide variety of product

**Specifications**

**Summary** **Power and Performance**

<p><b>Brand</b> Lincat</p> <p><b>Range</b> Seal</p> <p><b>Series</b> 650 Series</p> <p><b>Power Type</b> Electric</p> <p><b>Unit Type</b> Counter-top</p> <p><b>Available in UK Only</b> No</p> <p><b>UK Warranty</b> 2 Years Parts and Labour Warranty</p> <p><b>Export Warranty</b> Contact your local dealer</p> <p><b>GTIN</b> 5056105103929</p>	<p><b>Total Power kW</b> 0.600</p> <p><b>Temperature Range °C</b> 3-7</p> <p><b>IP Rating</b> IP33</p> <p><b>Temperature Control</b> Electronic</p>
--	---

**Key Specifications**

<b>Number of Shelves included</b>	2
<b>Number of Shelf Positions</b>	2
<b>Refrigerant Type</b>	R452a
<b>Service Type</b>	Self service
<b>Type of Lighting</b>	Fluorescent

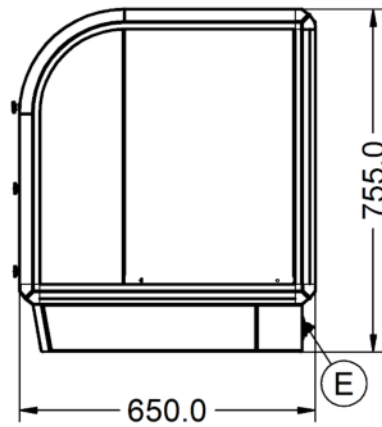
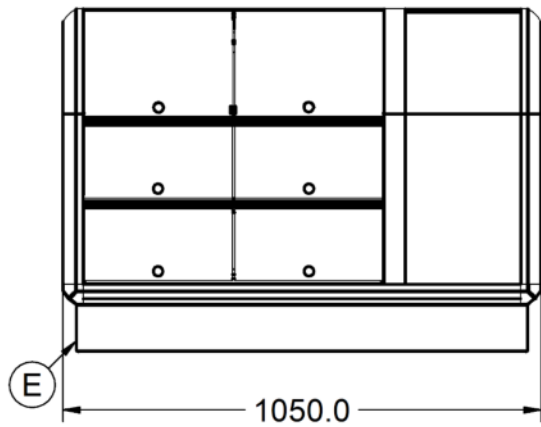
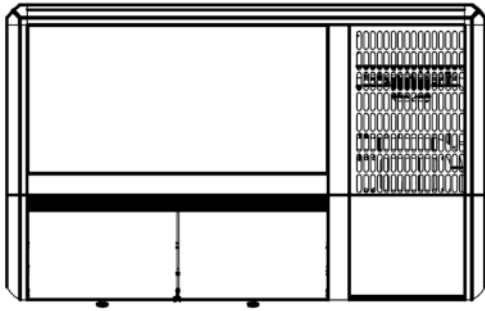
**Weights and Dimensions** **Supply Connections**

<p><b>Unit Height (External) mm</b> 755</p> <p><b>Unit Width (External) mm</b> 1050</p> <p><b>Unit Depth (External) mm</b> 650</p> <p><b>Height (Internal) mm</b> 560</p> <p><b>Width (Internal) mm</b> 685</p> <p><b>Depth (Internal) mm</b> 570</p> <p><b>Shelf Dimensions Width mm</b> 650</p> <p><b>Shelf Dimensions Depth mm</b> 525</p> <p><b>Net Weight Kg</b> 93.9</p>	<p><b>Requires Installation</b> No</p> <p><b>Requires Electrical Supply</b> Yes</p> <p><b>UK 3 Pin Plug</b> Yes</p> <p><b>Requires Hardwiring</b> No</p> <p><b>Electrical Supply Rating Watts</b> 604</p> <p><b>Single Phase Amps</b> 2.60</p> <p><b>Single Phase Voltage</b> 230</p>
--	---

Shipping

Packed Weight Kg	103.29
Packed Height cm	90
Packed Width cm	115
Packed Depth cm	75

Technical Picture





**Lincat Limited**

Whisby Road,  
Lincoln, LN6 3QZ,  
United Kingdom

**Company No:** 2175448

A member company of



**Customer Care**

**Tel:** +44 1522 875500  
**Email:** care@lincat.co.uk

**Export Customers**

**Tel:** +44 1522 875536  
**Email:** export@lincat.co.uk

**Opening Hours**

**Monday – Friday:**  
8.30am – 5pm