



C6R/105SL - Lincat Seal
650 Series Counter-top
Curved Front
Refrigerated
Merchandiser - Self-
Service - Side-Mounted
Power Pack [Left] - W
1050 mm - 0.6 kW

Enhance your food sales by showcasing sandwiches, baguettes, yoghurts, fruit and drinks in the Seal 650 Range Curved Front Refrigerated Merchandiser.

- ✓ Using precise thermostatic control this unit holds food from 3°C - 7°C. It enables the user to accurately monitor the temperature of product for the absolute best results
- ✓ Digital display which gives clear indication of temperature to the user
- ✓ The unit is double glazed which keeps the cool air locked in, this in turn gives the customer better results while also saving money through energy efficiency.
- ✓ Provides daylight balanced illumination, which lights up the units interior and spotlights each product
- ✓ Options for self service or back service are also available.
- ✓ Spacious unit enabling you to showcase a wide variety of product

Specifications

Summary **Power and Performance**

Brand	Lincat	Total Power kW	0.600
Range	Seal	Temperature Range °C	3-7
Series	650 Series	IP Rating	IP33
Power Type	Electric	Temperature Control	Electronic
Unit Type	Counter-top		
Available in UK Only	No		
UK Warranty	2 Years Parts and Labour Warranty		
Export Warranty	Contact your local dealer		
GTIN	5056105103912		

Key Specifications

Number of Shelves included	2
Number of Shelf Positions	2
Refrigerant Type	R452a
Service Type	Self service
Type of Lighting	Fluorescent

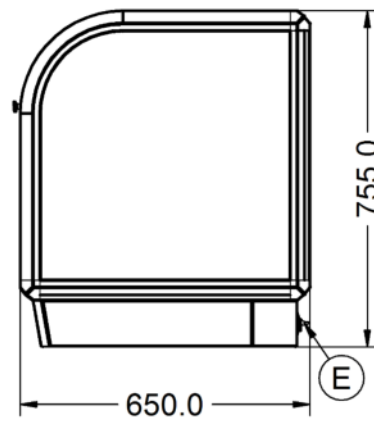
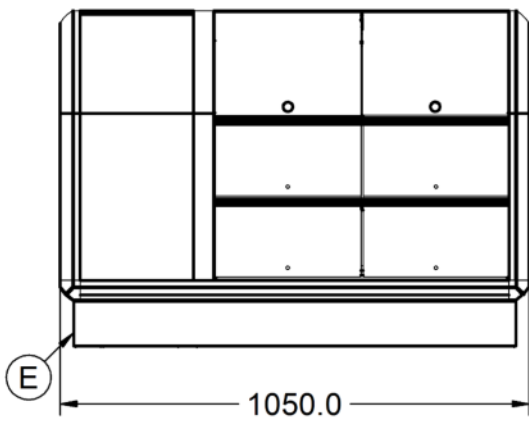
Weights and Dimensions **Supply Connections**

Unit Height (External) mm	755	Requires Installation	No
Unit Width (External) mm	1050	Requires Electrical Supply	Yes
Unit Depth (External) mm	650	UK 3 Pin Plug	Yes
Height (Internal) mm	560	Requires Hardwiring	No
Width (Internal) mm	685	Electrical Supply Rating Watts	604
Depth (Internal) mm	570	Single Phase Amps	2.60
Shelf Dimensions Width mm	650	Single Phase Voltage	230
Shelf Dimensions Depth mm	525		
Net Weight Kg	94		

Shipping

Packed Weight Kg	103.4
Packed Height cm	90
Packed Width cm	115
Packed Depth cm	75

Technical Picture





Lincat Limited

Whisby Road,
Lincoln, LN6 3QZ,
United Kingdom

Company No: 2175448

A member company of



Customer Care

Tel: +44 1522 875500
Email: care@lincat.co.uk

Export Customers

Tel: +44 1522 875536
Email: export@lincat.co.uk

Opening Hours

Monday – Friday:
8.30am – 5pm