



DOMINATORPLUS *G3800DX Bratt Pan*

Key features

- Stainless steel pan with duplex steel base
 - Delivers even heating across the base of the pan
- Versatile cooking performance
 - Able to carry out six different cooking methods
- Manual tilt via front located handle
 - Safe, smooth pan tilting
- Incremental opening lid
 - See what's cooking without unnecessary heat loss
- Precise temperature control from 100 - 300°C
 - Responsive and accurate controls
- Automatic power cut-off when pan is tilted
 - Additional safety feature for added peace of mind
- Integrated water faucet
 - Easy to add water to pan as and when required
- Laser-etched control icons
 - Permanent, indelible markings

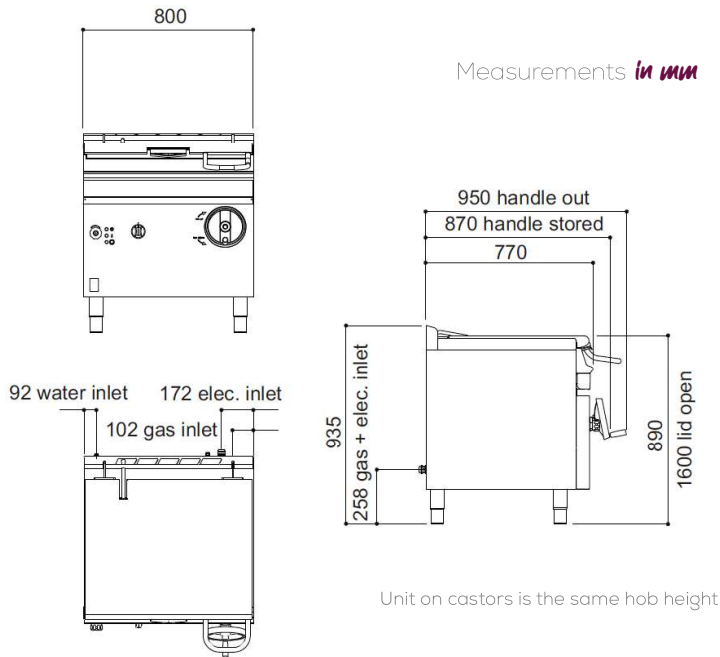
Accessories

- Steaming tray
- 1/1 GN compatible cradle
- Factory fitted, adjustable castors
- Fixed installation kit

Similar Models

- G9781 100 litre bratt pan
- E3800DX electric bratt pan
- E9781 100 litre electric bratt pan





Installation notes

Adequate ventilation must be provided to supply sufficient fresh air for combustion and to allow easy removal of any such products that may present a risk to health. Please consult current legislation for details that relate to specific locations.

Install unit on a level, fireproof surface in a well-lit, draught free position. If floor is made of a combustible material, local fire requirements must be checked to ensure compliance.

A clearance of 150mm should be observed between appliance and any combustible wall.

Specification details

Total rating (natural and propane - kW - Nett)	14		
Total rating (natural and propane - btu/hr - gross)	52,545		
Inlet size (natural and propane)	1/2" BSP		
Flow rate - natural (m ³ /hr)	1.46		
Flow rate - propane (kg/hr)	1.09		
Inlet pressure (natural and propane - mbar)	20 / 37		
Operating pressure (natural and propane - mbar)	10 / 34		
Electrical supply voltage	230V~		
Water connection (BSP)	1/2"		
Pan dimensions (w x d x h - mm)	720 x 430 x 200		
Water capacity (litres)	60		
Weight (kg)	118		
Packed weight (kg)	130		
Packed dimensions (w x d x h - mm)	1000 x 1000 x 1100		
GTIN numbers			
Nat Gas (feet)	Nat Gas (castors)	LPG (feet)	LPG (castors)

