



DOMINATOR*PLUS*

E3121 Three Hotplate Boiling Top

Key features

- Full depth heavy duty cast iron hotplates
 - Allows multiple cooking positions
- Independently controlled hotplates
 - Use hotplates same way as you would a solid top
- Full width, removable drip tray
 - Easy to remove and keep clean
- Variable, accurate temperature control
 - Ideal for a wide range of menu items
- Laser-etched control icons
 - Permanent, indelible markings

Accessories

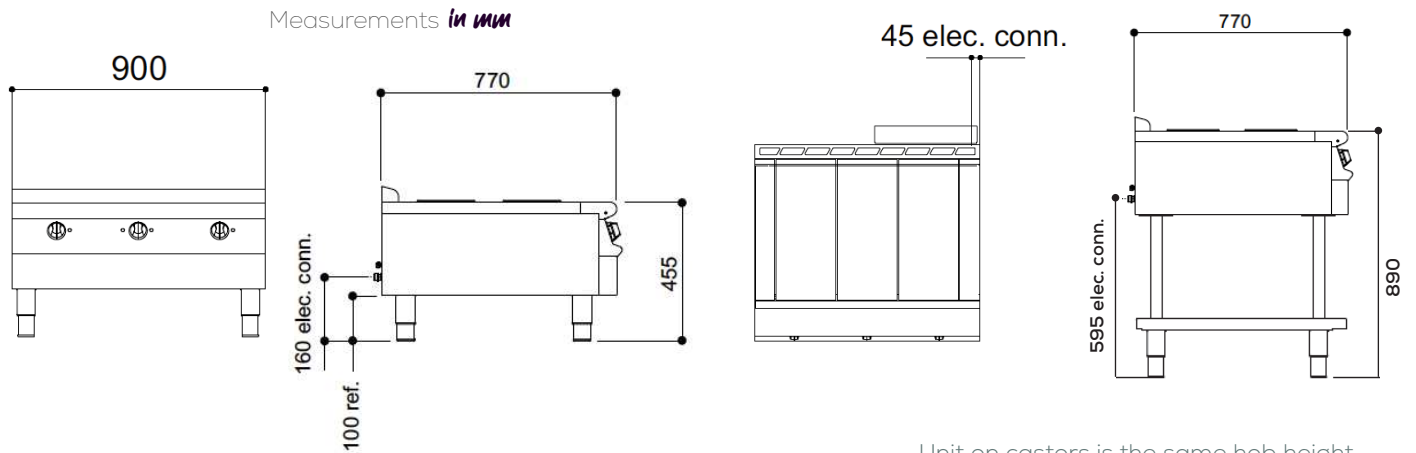
- Fixed stand
- Factory fitted, adjustable castors
- Fixed installation kit



Similar Models

- E3121 4HP boiling top
- E3122 2HP boiling top
- E9084 4HP boiling top

Three Hotplate Boiling Top



Unit on castors is the same hob height

Specification *details*

| | |
|----------------------------------------|----------------------|
| Electrical rating (kW) | 9.6 |
| Electrical supply voltage | 400V 3N~ |
| Minimum electrical supply 400V 3N~ (A) | 20 |
| Electrical current split (A) | L1: 14 L2: 14 L3: 14 |
| Hotplate rating (kW) | 3.2 x 3 |
| Weight (kg) | 70 |
| Weight on stand (kg) | 100 |
| Packed weight (kg) | 83 |
| Packed dimensions (w x d x h - mm) | 1000 x 1000 x 600 |
| GTIN number | |

Installation notes

Adequate ventilation must be provided to supply sufficient fresh air and to allow easy removal of any such products that may present a risk to health. Please consult current legislation for details that relate to specific locations.

Install unit on a level, fireproof surface in a well-lit position. If floor is made of a combustible material, local fire requirements must be checked to ensure compliance.

A clearance of 150mm should be observed between appliance and any combustible wall.

