



DOMINATOR **PLUS**

E3101PD Six Hotplate Oven Range

Key features

- Pressed hob with six fast-heating circular hotplates
 - Reduces heat up times and save energy
- Independently controlled hotplates
 - Provides flexibility to chef
- Full width, removable drip tray
 - Easy to remove and keep clean
- Vitreous enamelled oven chamber
 - Easy to clean and to keep clean
- Wide oven temperature range of 100 - 250°C
 - Ideal to prepare a wide variety of food
- Drop down oven door with 90° position hinge
 - Quick access to load and unload oven
- Oven has 5 shelf positions and allows 2 shelf cooking
 - Versatile, ideal for a wide range of menu items
- Low profile door handles
 - Reduces intrusion into work space
- Laser-etched control icons
 - Permanent, indelible markings

Accessories

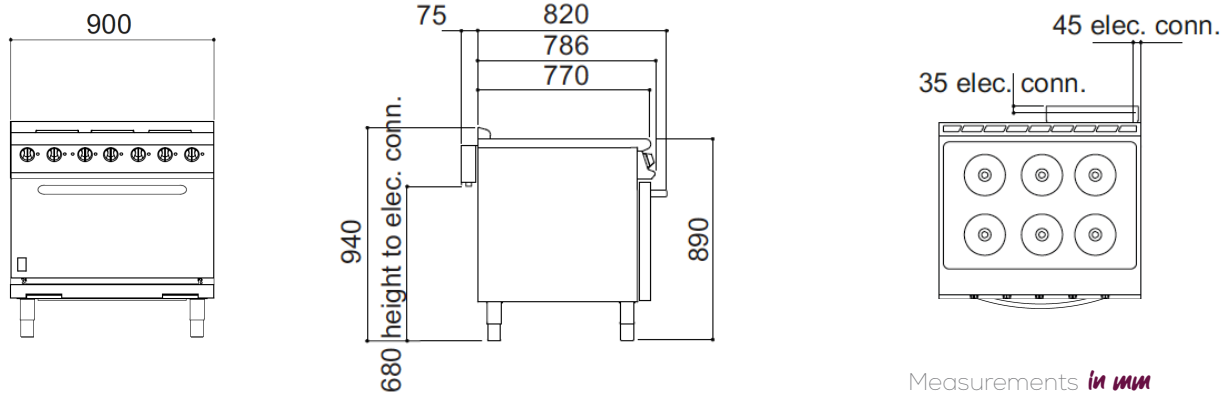
- Fully integrated extended flue
- Splashplate and plateshelf (not for use with extended flue)
- Oven shelf
- Factory fitted, adjustable castors
- Fixed installation kit



Similar Models

- E3101P 6HP oven range
- E3101D 4HP oven range with drop down door
- E3101D 3HP oven range with drop down door
- E3101P OTC 6HP fan-assisted oven range

Six Hotplate Oven Range



Unit on castors is the same hob height

Specification *details*

Electrical rating (kW)	17
Electrical supply voltage	400V 3N~
Minimum electrical supply 400V 3N~ (A)	32
Electrical current split (A)	L1: 24 L2: 24 L3: 22
Hotplate rating (kW)	2 x 6
Total oven element rating (kW)	5
Oven dimensions (w x d x h - mm)	700 x 535 x 430
Oven shelf (w x d - mm)	700 x 535
Gastronorm compatibility	2/1
Weight (kg)	154
Packed weight (kg)	172
Packed dimensions (w x d x h - mm)	1000 x 1000 x 1100
GTIN numbers	

Installation notes

Adequate ventilation must be provided to supply sufficient fresh air and to allow easy removal of any such products that may present a risk to health. Please consult current legislation for details that relate to specific locations.

Install unit on a level, fireproof surface in a well-lit position. If floor is made of a combustible material, local fire requirements must be checked to ensure compliance.

A clearance of 150mm should be observed between appliance and any combustible wall.

