



## PHER01 - Lincat Phoenix Electric Free-standing Induction Oven Range - 6-Zone - W 900 mm - 17.1 kW [3-Phase]

With six 1.85kW induction zones and a six GN1/1 large capacity oven, the Phoenix Electric Induction Oven is all about flexibility.

- ✔ Six 1.85kW zones. When you need intense heat to get you cooking fast zones can be boosted to 3kW for up to 10 minutes. Power to the other zones will drop during the boost period.
- ✔ Large 6 x GN1/1 capacity twin fan assisted oven enabling six different foods to be cooked simultaneously
- ✔ Incredible efficiency, automatically cutting power when no pan is present, reducing running costs and providing a more comfortable kitchen environment
- ✔ Easy to clean, heavy duty 6mm thick high impact resistant glass ceramic surface
- ✔ Highly insulated oven reducing heat loss and ensuring a more consistent temperature

### Specifications

#### Summary

<b>Brand</b>	Lincat
<b>Range</b>	Phoenix
<b>Power Type</b>	Electric
<b>Unit Type</b>	Free-standing
<b>Available in UK Only</b>	No
<b>UK Warranty</b>	2 Years Parts and Labour Warranty
<b>Export Warranty</b>	Contact your local dealer
<b>GTIN</b>	5056105116400

#### Power and Performance

<b>Total Power kW</b>	17.1
<b>Temperature Range °C</b>	50-250
<b>IP Rating</b>	IP24
<b>Cooking Area (Width x Depth) mm</b>	190 dia. x 6
<b>Temperature Control</b>	Mechanical
<b>Rating per Hob kW</b>	1.85
<b>Oven Rating kW</b>	6.0

#### Key Specifications

<b>Number of Shelves included</b>	2
<b>Number of Shelf Positions</b>	4
<b>Number of Hobs</b>	6
<b>Shape of Hob</b>	Round

#### Capacity

<b>Gastronorm Capacity</b>	6 x GN1/1
----------------------------	-----------

#### Weights and Dimensions

<b>Unit Height (External) mm</b>	923
<b>Unit Width (External) mm</b>	900
<b>Unit Depth (External) mm</b>	817
<b>Height (Internal) mm</b>	410
<b>Width (Internal) mm</b>	725
<b>Depth (Internal) mm</b>	512
<b>Shelf Dimensions Width mm</b>	706
<b>Shelf Dimensions Depth mm</b>	512
<b>Hob Dimensions mm</b>	190
<b>Net Weight Kg</b>	125

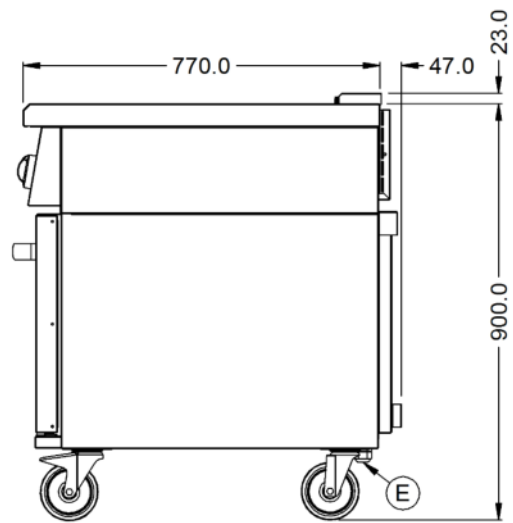
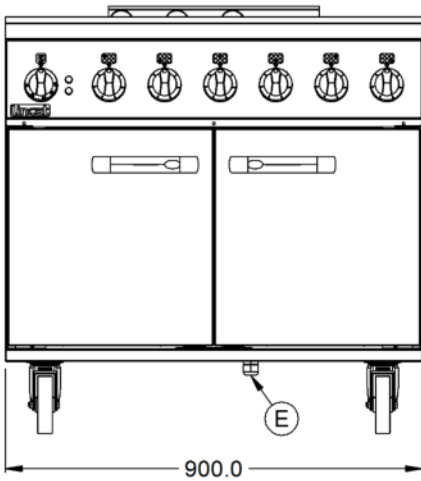
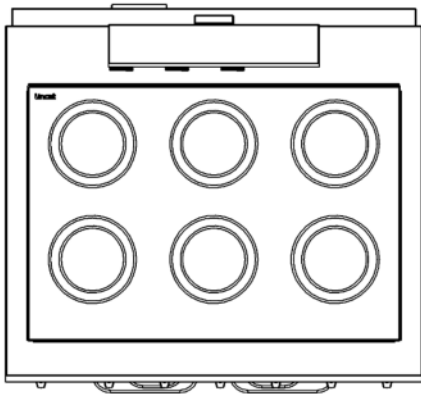
#### Supply Connections

<b>Requires Installation</b>	Yes
<b>Requires Electrical Supply</b>	Yes
<b>UK 3 Pin Plug</b>	No
<b>Requires Hardwiring</b>	Yes
<b>Electrical Supply Rating Watts</b>	17,100
<b>Three Phase Amps</b>	L1=25.0; L2=25.0; L3=25.0
<b>Three Phase Voltage</b>	400

**Shipping**

Packed Weight Kg	145
Packed Height cm	104
Packed Width cm	100
Packed Depth cm	85

**Technical Picture**





**Lincat Limited**

Whisby Road,  
Lincoln, LN6 3QZ,  
United Kingdom

**Company No:** 2175448

A member company of



**Customer Care**

**Tel:** +44 1522 875500  
**Email:** [care@lincat.co.uk](mailto:care@lincat.co.uk)

**Export Customers**

**Tel:** +44 1522 875536  
**Email:** [export@lincat.co.uk](mailto:export@lincat.co.uk)

**Opening Hours**

**Monday – Friday:**  
8.30am – 5pm