



## PHER01/SPH - Lincat Phoenix Electric Free-standing Induction Oven Range - 6-Zone - W 900 mm - 13.0 kW [1-Phase]

This powerful six-zone induction electric oven range has the ability to cook large volumes of quality food efficiently, making it the ultimate solution for pubs, care homes and community centres.

- ✓ Six 1.85kW zones. When you need intense heat to get you cooking, zones can be boosted to 3kW for up to 10 minutes. Power to the other zones will drop during the boost period.
- ✓ Incredible efficiency, reducing running costs and providing a more comfortable kitchen environment
- ✓ Easy to clean heavy duty 6mm thick, high impact resistant, glass ceramic surface
- ✓ Large 6 x GN1/1 capacity twin fan assisted oven, enabling six different foods to be cooked simultaneously
- ✓ Highly insulated oven, reducing heat loss and ensuring a more consistent temperature

### Specifications

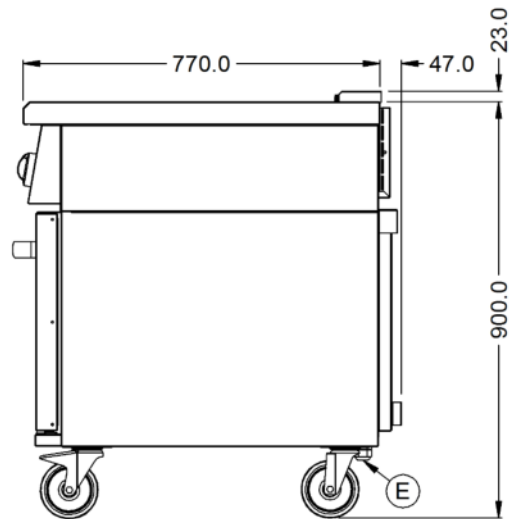
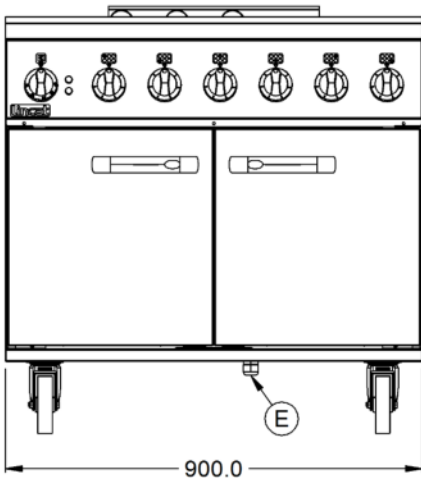
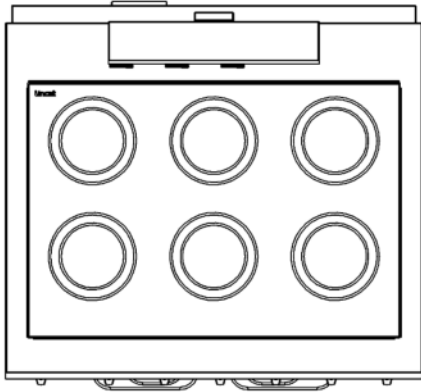
Summary		Power and Performance	
Brand	Lincat	Total Power kW	13.0
Range	Phoenix	Temperature Range °C	50-250
Power Type	Electric	IP Rating	IP24
Unit Type	Free-standing	Cooking Area (Width x Depth) mm	190 dia. x 6
Available in UK Only	No	Temperature Control	Mechanical
UK Warranty	2 Years Parts and Labour Warranty	Rating per Hob kW	1.5
Export Warranty	Contact your local dealer	Oven Rating kW	4.0
GTIN	5056105116417		

Key Specifications		Capacity	
Number of Shelves included	2	Gastronorm Capacity	6 x GN1/1
Number of Shelf Positions	4		
Number of Hobs	6		
Shape of Hob	Round		

Weights and Dimensions		Supply Connections	
Unit Height (External) mm	923	Requires Installation	Yes
Unit Width (External) mm	900	Requires Electrical Supply	Yes
Unit Depth (External) mm	817	UK 3 Pin Plug	No
Height (Internal) mm	410	Requires Hardwiring	Yes
Width (Internal) mm	725	Electrical Supply Rating Watts	13,000
Depth (Internal) mm	512	Single Phase Amps	56.5 [1 supp.]; 30.4/26.1 [2 supp.]
Shelf Dimensions Width mm	706	Single Phase Voltage	230
Shelf Dimensions Depth mm	512		
Hob Dimensions mm	190		
Net Weight Kg	125		

Shipping	
Packed Weight Kg	145
Packed Height cm	106
Packed Width cm	100
Packed Depth cm	85

Technical Picture



**Lincat Limited**

Whisby Road,  
Lincoln, LN6 3QZ,  
United Kingdom

**Company No:** 2175448

A member company of



**Customer Care**

**Tel:** +44 1522 875500  
**Email:** care@lincat.co.uk

**Export Customers**

**Tel:** +44 1522 875536  
**Email:** export@lincat.co.uk

**Opening Hours**

**Monday – Friday:**  
8.30am – 5pm