



## PHEAS01 - Lincat Phoenix Electric Counter-top Adjustable Salamander Grill - W 600mm - 4.5 kW

The 'no frills' Phoenix Electric Salamander offers energy efficiency with three cook zones which heat up in just eight seconds at a cost effective price.

- ✓ Fast heat up 'Hi-Light' elements - ready to cook in just 8 seconds
- ✓ Height adjustable grill hood reduces heat loss to surrounding area
- ✓ Three cook zones - only turn on the area you need
- ✓ GN 1/1 compatible
- ✓ 15 minute timer

### Specifications

#### Summary

<b>Brand</b>	Lincat
<b>Range</b>	Phoenix
<b>Power Type</b>	Electric
<b>Unit Type</b>	Counter-top
<b>Available in UK Only</b>	No
<b>UK Warranty</b>	2 Years Parts and Labour Warranty
<b>Export Warranty</b>	Contact your local dealer
<b>GTIN</b>	5056105116431

#### Power and Performance

<b>Total Power kW</b>	4.5
<b>IP Rating</b>	IP24
<b>Cooking Area (Width x Depth) mm</b>	525 x 335
<b>Temperature Control</b>	Mechanical

#### Key Specifications

<b>Number of Heat Zones</b>	3
-----------------------------	---

#### Capacity

<b>Gastronorm Capacity</b>	1 x GN1/1
----------------------------	-----------

#### Weights and Dimensions

<b>Unit Height (External) mm</b>	544
<b>Unit Width (External) mm</b>	600
<b>Unit Depth (External) mm</b>	545
<b>Net Weight Kg</b>	59

#### Supply Connections

<b>Requires Installation</b>	Yes
<b>UK 3 Pin Plug</b>	No
<b>Requires Hardwiring</b>	Yes
<b>Electrical Supply Rating Watts</b>	4,500
<b>Single Phase Amps</b>	19.50
<b>Single Phase Voltage</b>	230
<b>Three Phase Amps</b>	L1=6.5; L2=6.5; L3=6.5
<b>Three Phase Voltage</b>	400

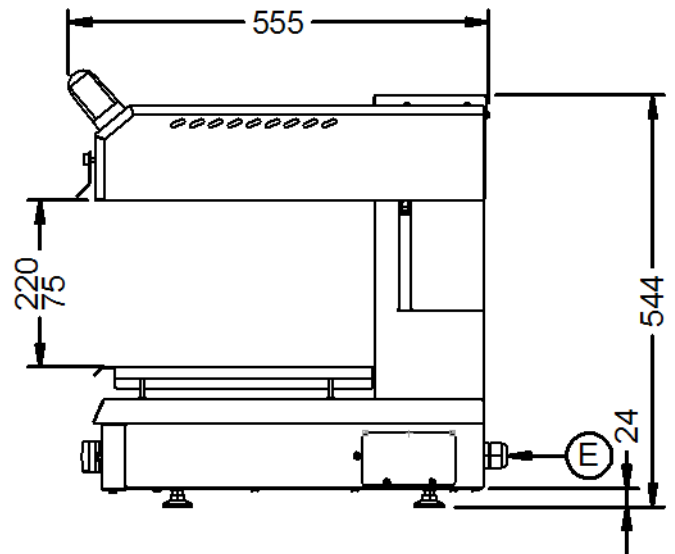
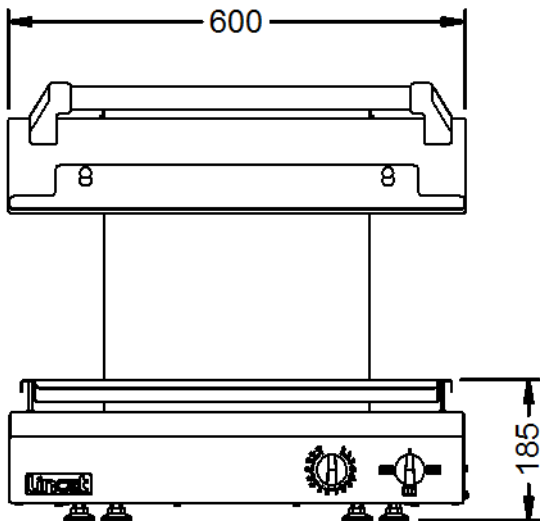
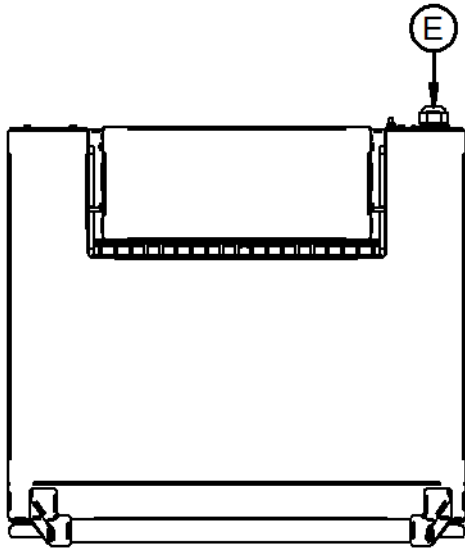
#### Shipping

<b>Packed Weight Kg</b>	69
<b>Packed Height cm</b>	70
<b>Packed Width cm</b>	80
<b>Packed Depth cm</b>	70

### Available Accessories

<b>BR75</b>	NULL
-------------	------

### Technical Picture





**Lincat Limited**

Whisby Road,  
Lincoln, LN6 3QZ,  
United Kingdom

**Company No:** 2175448

A member company of



**Customer Care**

**Tel:** +44 1522 875500  
**Email:** care@lincat.co.uk

**Export Customers**

**Tel:** +44 1522 875536  
**Email:** export@lincat.co.uk

**Opening Hours**

**Monday – Friday:**  
8.30am – 5pm