



OG8301/P - Lincat Opus 800 Propane Gas Counter-top Salamander Grill - W 800 mm - 6.8 kW

A fast-heating Opus 800 Gas Salamander Grill with powerful, highly efficient ceramic plaque burners, four shelf positions for flexibility and flame failure protection for added safety.

- ✓ Powerful, highly efficient ceramic plaque burners for reliability & rapid heat up
- ✓ Enamelled front for durability
- ✓ Maximum versatility with three independently controlled heat zones
- ✓ Flame failure protection

Specifications

Summary

| | |
|-----------------------------|-----------------------------------|
| Brand | Lincat |
| Range | Opus 800 |
| Power Type | Gas |
| Gas Type | Propane Gas |
| Unit Type | Counter-top |
| Available in UK Only | No |
| UK Warranty | 2 Years Parts and Labour Warranty |
| Export Warranty | Contact your local dealer |
| GTIN | 5056105102786 |

Power and Performance

| | |
|--|------------|
| BTU per Hour | 23,201 |
| Total Power kW | 6.8 |
| Cooking Area (Width x Depth) mm | 530 x 265 |
| Temperature Control | Mechanical |

Key Specifications

| | |
|-----------------------------------|---|
| Number of Shelves included | 1 |
| Number of Shelf Positions | 4 |
| Number of Heat Zones | 1 |

Capacity

| | |
|----------------------------|-----------|
| Gastronorm Capacity | 1 x GN1/1 |
|----------------------------|-----------|

Weights and Dimensions

| | |
|----------------------------------|-----|
| Unit Height (External) mm | 450 |
| Unit Width (External) mm | 800 |
| Unit Depth (External) mm | 438 |
| Shelf Dimensions Width mm | 530 |
| Shelf Dimensions Depth mm | 265 |
| Net Weight Kg | 36 |

Supply Connections

| | |
|---|--------|
| Requires Installation | Yes |
| Gas Connection BSP | 1/2" |
| Gas Consumption at full rate Propane m³ per Hour | 0.49 |
| Gas Pressure Propane mbar | 37 |
| Total heat input at full rate Propane kW | 6.8 |
| Total heat input at full rate Propane BTU per hour | 23,201 |

Shipping

| | |
|-------------------------|----|
| Packed Weight Kg | 48 |
| Packed Height cm | 78 |
| Packed Width cm | 85 |
| Packed Depth cm | 45 |

Available Accessories

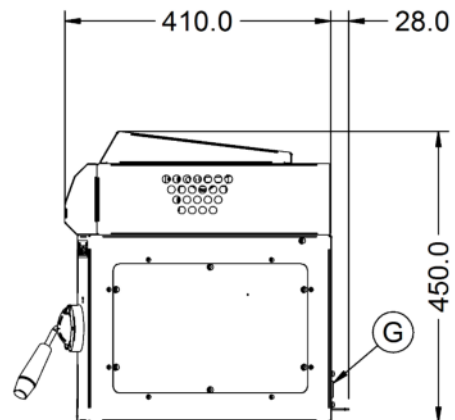
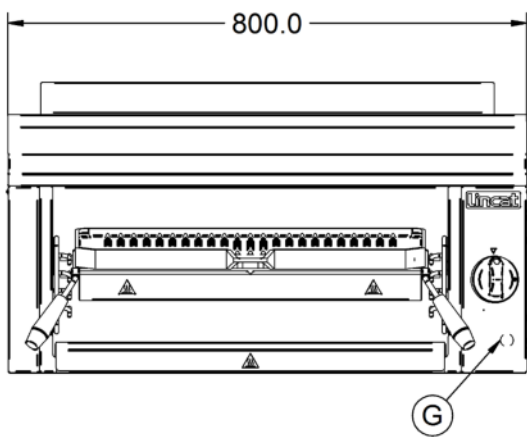
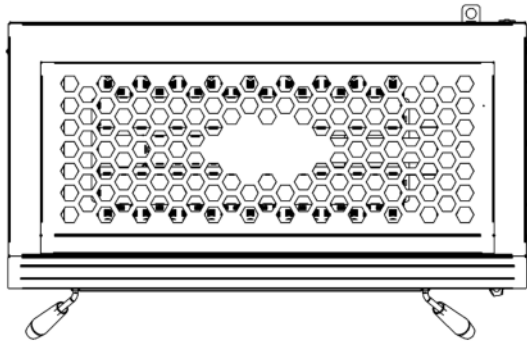
| | |
|---------------|--|
| CH01 | Caterflex Hose 1/2" - 1 Metre - for use with units up to 66,000 BTU |
| CH02 | Caterflex Hose 1/2" - 1.5 Metre - for use with units up to 56,000 BTU |
| OA8907 | Lincat Opus 800 Free-standing Floor Stand with Legs - for units W 800 mm |
| OA8908 | Lincat Opus 800 Free-standing Bench Stand - for units W 800 mm |
| OA8909 | WALL BRACKET OG8301/OE8304 |

Available Accessories

OA8976

BRANDING PLATE ACCESSORY FOR OG8301

Technical Picture





Lincat Limited

Whisby Road,
Lincoln, LN6 3QZ,
United Kingdom

Company No: 2175448

A member company of



Customer Care

Tel: +44 1522 875500
Email: care@lincat.co.uk

Export Customers

Tel: +44 1522 875536
Email: export@lincat.co.uk

Opening Hours

Monday – Friday:
8.30am – 5pm