



## OG8111/P - Lincat Opus 800 Propane Gas Free-standing Twin Tank Fryer - 2 Baskets - W 600 mm - 32.0 kW

An accurate Opus 800 Twin-Tank Free Standing Gas Fryer which comes with two independent fryer tanks for greater versatility.

- ✓ Two independent fryer tanks for greater versatility
- ✓ Convenient piezo ignition
- ✓ Externally fired heating gives easy access for cleaning tanks

### Specifications

#### Summary

<b>Brand</b>	Lincat
<b>Range</b>	Opus 800
<b>Power Type</b>	Gas
<b>Gas Type</b>	Propane Gas
<b>Unit Type</b>	Free-standing
<b>Available in UK Only</b>	No
<b>UK Warranty</b>	2 Years Parts and Labour Warranty
<b>Export Warranty</b>	Contact your local dealer
<b>GTIN</b>	5056105103189

#### Power and Performance

<b>BTU per Hour</b>	109,184
<b>Total Power kW</b>	32.0
<b>Temperature Range °C</b>	90-190
<b>Temperature Control</b>	Mechanical

#### Key Specifications

<b>Number of Baskets</b>	2
<b>Number of Tanks</b>	2
<b>Gravity Filtration</b>	No
<b>Pumped Filtration</b>	No
<b>Drain Location</b>	Through the body

#### Capacity

<b>Product Output per Hour</b>	44kg chips - 12mm [frozen], 64kg chips - 12mm [chi]
<b>Capacity Litres</b>	2 x 14.0

#### Weights and Dimensions

<b>Unit Height (External) mm</b>	1020
<b>Unit Width (External) mm</b>	600
<b>Unit Depth (External) mm</b>	800
<b>Net Weight Kg</b>	131.7

#### Supply Connections

<b>Requires Installation</b>	Yes
<b>Requires Electrical Supply</b>	No
<b>Gas Connection BSP</b>	1/2"
<b>Gas Consumption at full rate Propane m³ per Hour</b>	2.29
<b>Gas Pressure Propane mbar</b>	37.0
<b>Total heat input at full rate Propane kW</b>	32.0
<b>Total heat input at full rate Propane BTU per hour</b>	109,189

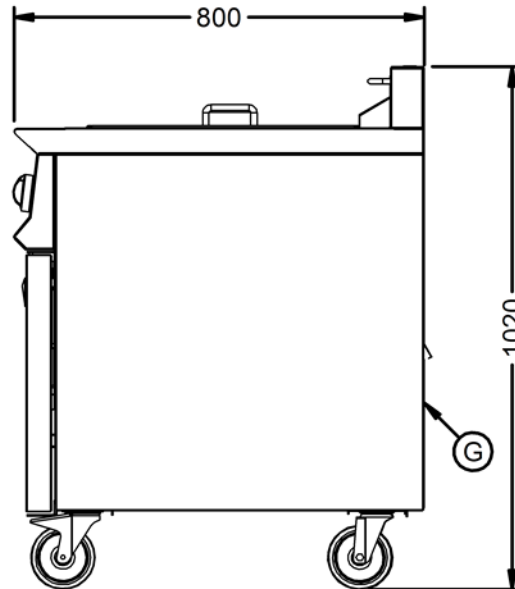
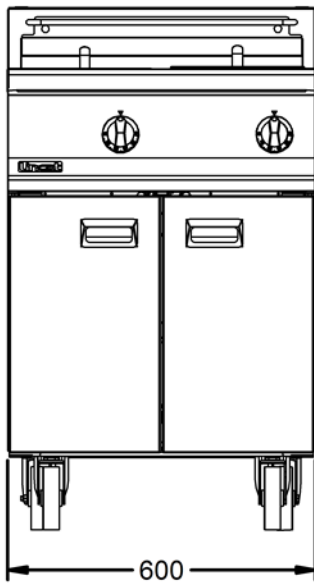
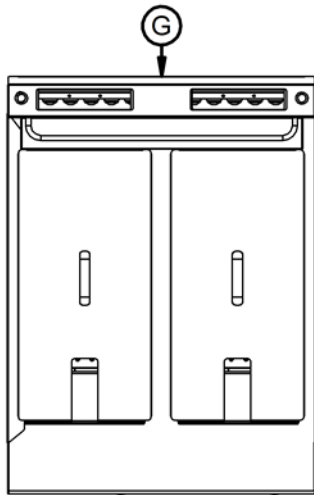
#### Shipping

<b>Packed Weight Kg</b>	142
<b>Packed Height cm</b>	122
<b>Packed Width cm</b>	70
<b>Packed Depth cm</b>	85

### Available Accessories

<b>LK02</b>	OPUS 350 LEG KIT
<b>OA8955</b>	SPLASHGUARD FRYERS - OPUS 800
<b>OF2</b>	Oil filter kit - size 2

Technical Picture



**Lincat Limited**

Whisby Road,  
Lincoln, LN6 3QZ,  
United Kingdom

**Company No:** 2175448

A member company of



**Customer Care**

**Tel:** +44 1522 875500  
**Email:** care@lincat.co.uk

**Export Customers**

**Tel:** +44 1522 875536  
**Email:** export@lincat.co.uk

**Opening Hours**

**Monday – Friday:**  
8.30am – 5pm