



OE8802 - Lincat Opus 800 Electric Free-standing Bratt Pan - W 900 mm - 12.0 kW

The Opus 800 electric Bratt Pan offers the flexibility of a 90°C to 240°C temperature range - it's up to you what you create in the enormous 80 litre space.

- ✓ Large 80 litre capacity
- ✓ Maximum flexibility, 90°C to 240°C temperature range to meet different cooking needs
- ✓ Large pouring spout and lip to avoid the risk of spillage
- ✓ 2mm thick stainless steel lid doubles as bench top workspace.
- ✓ Manually operated tilting mechanism with fold away handle

Specifications

Summary

| | |
|-----------------------------|-----------------------------------|
| Brand | Lincat |
| Range | Opus 800 |
| Power Type | Electric |
| Unit Type | Free-standing |
| Available in UK Only | No |
| UK Warranty | 2 Years Parts and Labour Warranty |
| Export Warranty | Contact your local dealer |
| GTIN | 5056105102441 |

Power and Performance

| | |
|-----------------------------|------------|
| Total Power kW | 12.0 |
| Temperature Range °C | 90-240 |
| IP Rating | IP34 |
| Temperature Control | Mechanical |

Capacity

| | |
|------------------------|----|
| Capacity Litres | 80 |
|------------------------|----|

Weights and Dimensions

| | |
|----------------------------------|-----|
| Unit Height (External) mm | 900 |
| Unit Width (External) mm | 900 |
| Unit Depth (External) mm | 800 |
| Net Weight Kg | 145 |

Supply Connections

| | |
|---------------------------------------|---------------------------|
| Requires Installation | Yes |
| Requires Electrical Supply | Yes |
| UK 3 Pin Plug | No |
| Requires Hardwiring | Yes |
| Electrical Supply Rating Watts | 12,000 |
| Single Phase Amps | 52.2 |
| Single Phase Voltage | 230 |
| Three Phase Amps | L1=17.4; L2=17.4; L3=17.4 |
| Three Phase Voltage | 400 |
| Water Connection Pressure Bar | 0.2-10.0 |
| Water Connection | 1/2" |

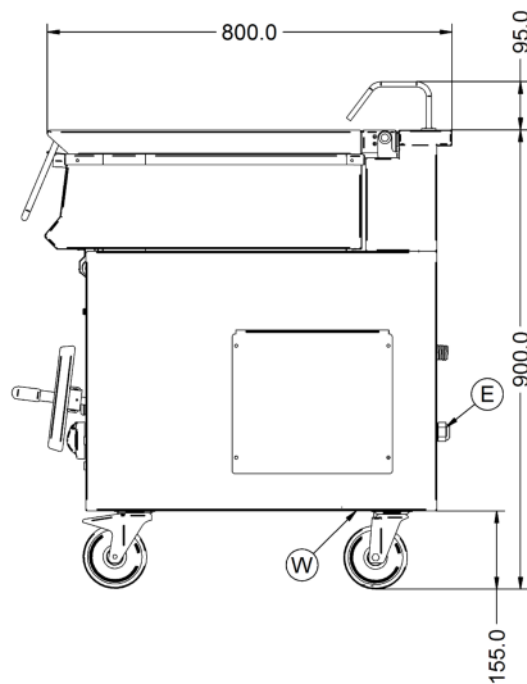
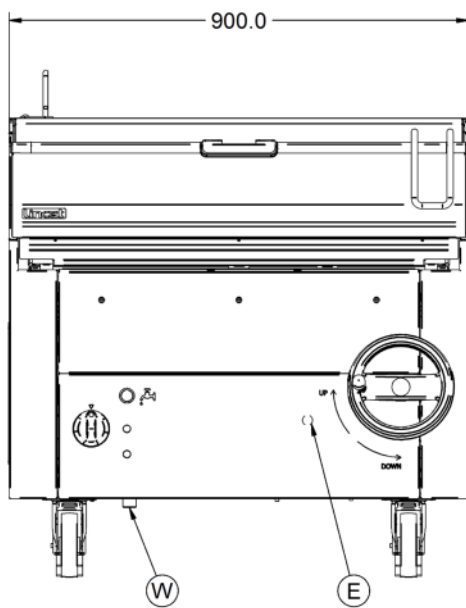
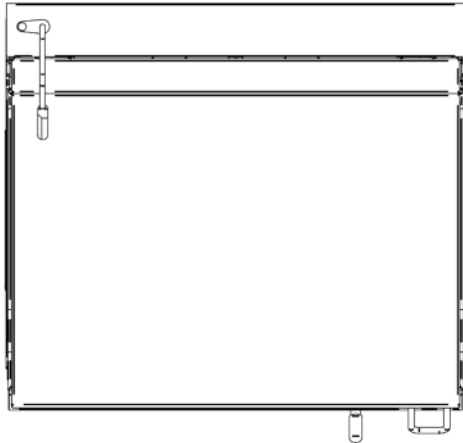
Shipping

| | |
|-------------------------|-------|
| Packed Weight Kg | 156.2 |
| Packed Height cm | 104 |
| Packed Width cm | 100 |
| Packed Depth cm | 85 |

Available Accessories

| | |
|------|------------------|
| LK06 | OPUS 800 LEG KIT |
|------|------------------|

Technical Picture



Lincat Limited

Whisby Road,
Lincoln, LN6 3QZ,
United Kingdom

Company No: 2175448

A member company of



Customer Care

Tel: +44 1522 875500
Email: care@lincat.co.uk

Export Customers

Tel: +44 1522 875536
Email: export@lincat.co.uk

Opening Hours

Monday – Friday:
8.30am – 5pm