



## OE8210/FR - Lincat Opus 800 Electric Counter-top Clam Griddle - 1 x Flat Plate; 1 x Ribbed Plate - W 800 mm - 17.2 kW

Cook flavoursome and succulent food up to three times faster than with a traditional griddle with the Opus 800 Clam Griddle with one flat and one ribbed upper plate.

- ✓ Heat from above and below locks in flavour and reduces shrinkage of meat
- ✓ Digital timer on each clam plate ensures repeatable results
- ✓ Cook food up to three times as quickly as a standard griddle
- ✓ Precise thermostatic control for consistent results and economical operation
- ✓ Ribbed plate gives food attractive brand marks

### Specifications

#### Summary

<b>Brand</b>	Lincat
<b>Range</b>	Opus 800
<b>Power Type</b>	Electric
<b>Unit Type</b>	Counter-top
<b>Available in UK Only</b>	No
<b>UK Warranty</b>	2 Years Parts and Labour Warranty
<b>Export Warranty</b>	Contact your local dealer
<b>GTIN</b>	5056105102588

#### Power and Performance

<b>Total Power kW</b>	17.2
<b>Temperature Range °C</b>	50-250
<b>IP Rating</b>	IP24
<b>Cooking Area (Width x Depth) mm</b>	766 x 525
<b>Temperature Control</b>	Mechanical

#### Key Specifications

<b>Number of Heat Zones</b>	2
<b>Top Grill Plate Surface Type</b>	1 x Smooth 1 x Ribbed
<b>Grill Plate Surface Type</b>	Smooth
<b>Grill Plate Material</b>	Aluminium

#### Capacity

<b>Product Output per Hour</b>	280 x 113g burgers [4oz] burgers [frozen]
--------------------------------	---

#### Weights and Dimensions

<b>Unit Height (External) mm</b>	542
<b>Unit Width (External) mm</b>	800
<b>Unit Depth (External) mm</b>	800
<b>Net Weight Kg</b>	155

#### Supply Connections

<b>Requires Installation</b>	Yes
<b>Requires Electrical Supply</b>	Yes
<b>UK 3 Pin Plug</b>	No
<b>Requires Hardwiring</b>	Yes
<b>Electrical Supply Rating Watts</b>	17,200
<b>Three Phase Amps</b>	L1=28.0; L2=28.0; L3=18.0
<b>Three Phase Voltage</b>	400

#### Shipping

<b>Packed Weight Kg</b>	170
<b>Packed Height cm</b>	72
<b>Packed Width cm</b>	90
<b>Packed Depth cm</b>	85

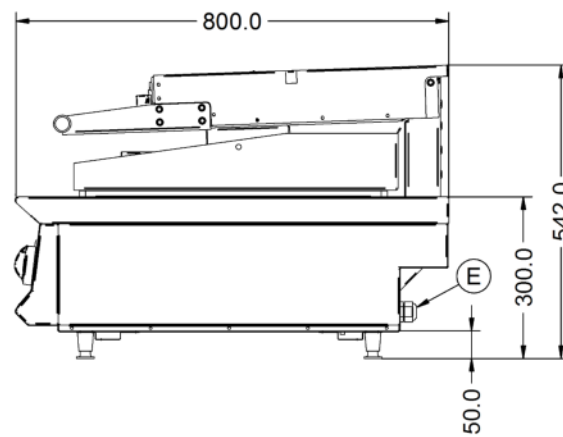
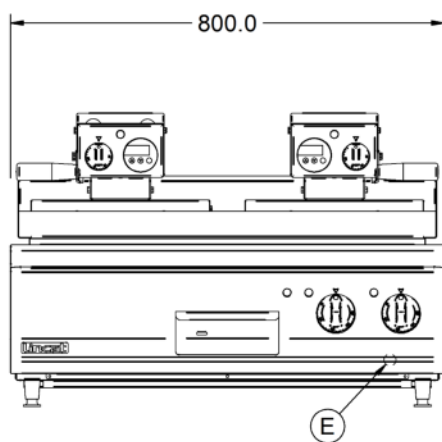
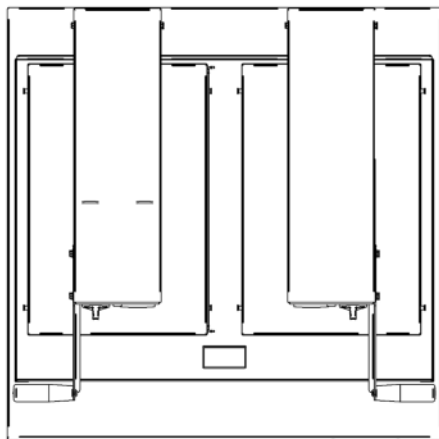
### Available Accessories

<b>OA8956</b>	Lincat Opus 800 Free-standing Floor Stand with Legs - for units W 800 mm
<b>OA8956/C</b>	Lincat Opus 800 Free-standing Floor Stand with Castors - for units W 800 mm
<b>OA8960</b>	3 POSITION HEIGHT ADJUSTER 10-20-30 - OPUS 800
<b>OA8974</b>	Lincat Opus 800 Free-standing Pedestal with Doors and Legs - for units W 800 mm

Available Accessories

<b>OA8974/C</b>	Lincat Opus 800 Free-standing Pedestal with Doors and Castors - for units W 800 mm
<b>TFS01</b>	Teflon Sheet for Clam Griddles [392mm x 500mm]

Technical Picture





**Lincat Limited**

Whisby Road,  
Lincoln, LN6 3QZ,  
United Kingdom

**Company No:** 2175448

A member company of



**Customer Care**

**Tel:** +44 1522 875500  
**Email:** care@lincat.co.uk

**Export Customers**

**Tel:** +44 1522 875536  
**Email:** export@lincat.co.uk

**Opening Hours**

**Monday – Friday:**  
8.30am – 5pm