



OD8007/P - Lincat Opus 800 Dual Fuel [Propane Gas] Free-standing Oven Range - 6 Burners - W 900 mm - 40.2 kW

This powerful Opus 800 dual fuel oven is built to deliver high volumes of top quality food and will withstand the rigours of even the busiest kitchen.

- ✓ Powerful 7.5kW dual concentric Burners for focused heat distribution from a fast boil to a low simmer
- ✓ Individual heavy-duty single cast iron supports, built to withstand the rigours of the busiest kitchen
- ✓ Low flue to allow use of the complete hob top
- ✓ Powerful 6kW twin fan assisted oven for even cooking results
- ✓ Large 6 x GN1/1 capacity oven enabling six different foods to be cooked simultaneously
- ✓ Dual Fuel Oven Ranges

Specifications

Summary		Power and Performance	
Brand	Lincat	BTU per Hour	137,168
Range	Opus 800	Total Power kW	40.2
Power Type	Dual Fuel	Temperature Range °C	120-250
Gas Type	Propane Gas	IP Rating	IP24
Unit Type	Free-standing	Temperature Control	Mechanical
Available in UK Only	No	Rating per Hob kW	6.7
UK Warranty	2 Years Parts and Labour Warranty	Oven Rating kW	6.0
Export Warranty	Contact your local dealer		
GTIN	5056105102335		

Key Specifications		Capacity	
Number of Shelves included	3	Gastronorm Capacity	6 x GN1/1
Number of Shelf Positions	5		
Number of Hobs	6		
Shape of Hob	Square		

Weights and Dimensions		Supply Connections	
Unit Height (External) mm	912	Requires Installation	Yes
Unit Width (External) mm	900	Requires Electrical Supply	Yes
Unit Depth (External) mm	800	UK 3 Pin Plug	No
Height (Internal) mm	410	Requires Hardwiring	Yes
Width (Internal) mm	825	Electrical Supply Rating Watts	6,060
Depth (Internal) mm	530	Single Phase Amps	26.0
Shelf Dimensions Width mm	770	Single Phase Voltage	230
Shelf Dimensions Depth mm	530	Three Phase Amps	L1=9.0; L2=8.7; L3=8.7
Hob Dimensions mm	300 x 300	Three Phase Voltage	400
Net Weight Kg	186	Gas Connection BSP	3/4"
		Gas Consumption at full rate Propane m³ per Hour	2.87
		Gas Pressure Propane mbar	37
		Total heat input at full rate Propane kW	40.2
		Total heat input at full rate Propane BTU per hour	137,162

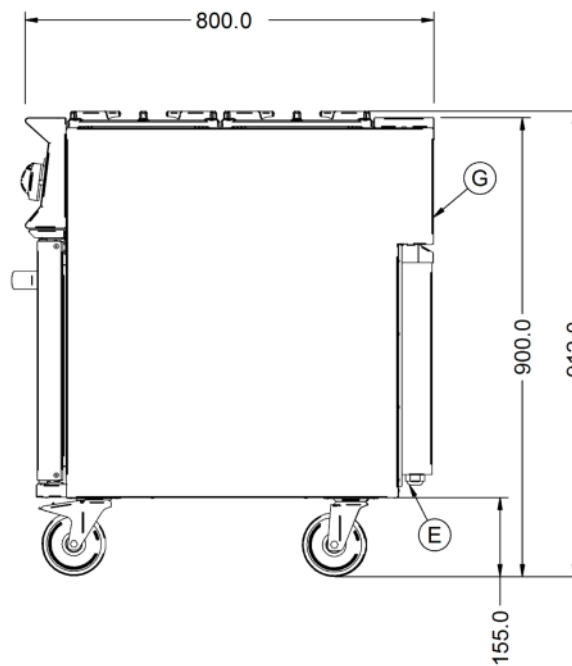
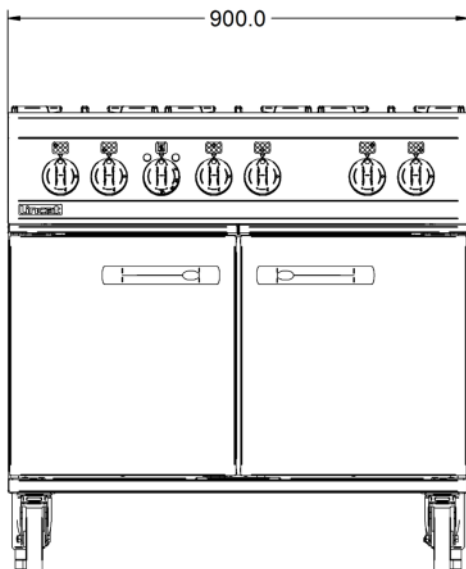
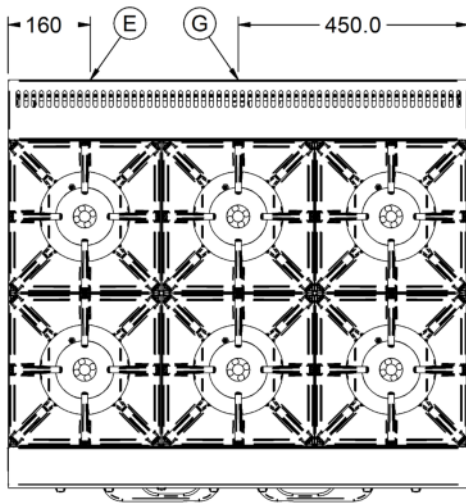
Shipping

Packed Weight Kg	201
Packed Height cm	107
Packed Width cm	100
Packed Depth cm	85

Available Accessories

LK06	OPUS 800 LEG KIT
OA8985	SPLASHBACK/SHELF - OD8007

Technical Picture





Lincat Limited

Whisby Road,
Lincoln, LN6 3QZ,
United Kingdom

Company No: 2175448

A member company of



Customer Care

Tel: +44 1522 875500
Email: care@lincat.co.uk

Export Customers

Tel: +44 1522 875536
Email: export@lincat.co.uk

Opening Hours

Monday – Friday:
8.30am – 5pm