



OD8006/P - Lincat Opus 800 Dual Fuel [Propane Gas] Free-standing Oven Range - 4 Burners - W 600 mm - 26.8 kW

This powerful Opus 800 dual fuel oven is built to deliver high volumes of top quality food and will withstand the rigours of even the busiest kitchen.

- ✓ Powerful 7.5kW dual concentric Burners for focused heat distribution from a fast boil to a low simmer
- ✓ Individual heavy-duty single cast iron supports, built to withstand the rigours of the busiest kitchen
- ✓ Low flue to allow use of the complete hob top
- ✓ Powerful 4kW fan assisted oven for even cooking results
- ✓ Large 3 x GN1/1 capacity oven enabling three different foods to be cooked simultaneously
- ✓ Dual Fuel Oven Ranges

Specifications

| Summary | | Power and Performance | |
|----------------------|-----------------------------------|-----------------------|------------|
| Brand | Lincat | BTU per Hour | 91,441 |
| Range | Opus 800 | Total Power kW | 26.8 |
| Power Type | Dual Fuel | Temperature Range °C | 120-250 |
| Gas Type | Propane Gas | IP Rating | IP24 |
| Unit Type | Free-standing | Temperature Control | Mechanical |
| Available in UK Only | No | Rating per Hob kW | 6.7 |
| UK Warranty | 2 Years Parts and Labour Warranty | Oven Rating kW | 4.0 |
| Export Warranty | Contact your local dealer | | |
| GTIN | 5056105102311 | | |

| Key Specifications | | Capacity | |
|----------------------------|--------|---------------------|-----------|
| Number of Shelves included | 3 | Gastronorm Capacity | 3 x GN1/1 |
| Number of Shelf Positions | 5 | | |
| Number of Hobs | 4 | | |
| Shape of Hob | Square | | |

| Weights and Dimensions | | Supply Connections | |
|---------------------------|-----------|--|------------------------|
| Unit Height (External) mm | 912 | Requires Installation | Yes |
| Unit Width (External) mm | 600 | Requires Electrical Supply | Yes |
| Unit Depth (External) mm | 800 | UK 3 Pin Plug | No |
| Height (Internal) mm | 410 | Requires Hardwiring | Yes |
| Width (Internal) mm | 525 | Electrical Supply Rating Watts | 4,032 |
| Depth (Internal) mm | 530 | Single Phase Amps | 17.8 |
| Shelf Dimensions Width mm | 510 | Single Phase Voltage | 230 |
| Shelf Dimensions Depth mm | 530 | Three Phase Amps | L1=8.7; L2=8.7; L3=N/A |
| Hob Dimensions mm | 300 x 300 | Three Phase Voltage | 400 |
| Net Weight Kg | 155 | Gas Connection BSP | 1/2" |
| | | Gas Consumption at full rate Propane m³ per Hour | 1.92 |
| | | Gas Pressure Propane mbar | 37 |
| | | Total heat input at full rate Propane kW | 26.8 |
| | | Total heat input at full rate Propane BTU per hour | 91,445 |

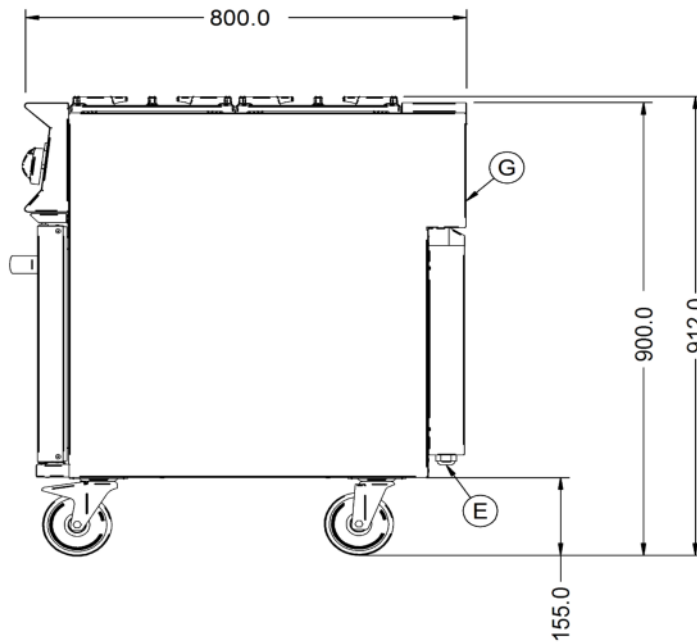
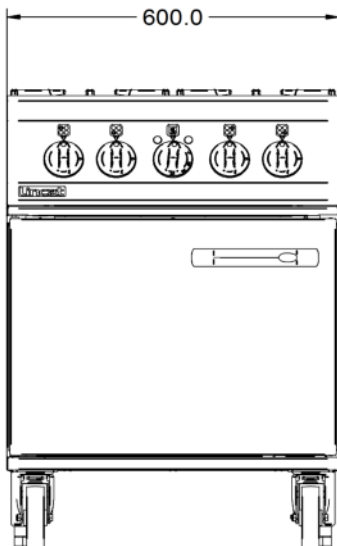
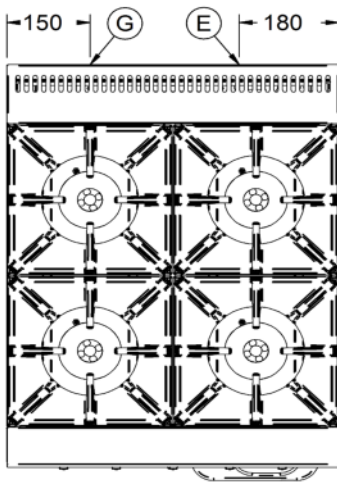
Shipping

| | |
|------------------|-----|
| Packed Weight Kg | 167 |
| Packed Height cm | 105 |
| Packed Width cm | 70 |
| Packed Depth cm | 85 |

Available Accessories

| | |
|--------|---------------------------|
| LK06 | OPUS 800 LEG KIT |
| OA8984 | SPLASHBACK/SHELF - OD8006 |

Technical Picture





Lincat Limited

Whisby Road,
Lincoln, LN6 3QZ,
United Kingdom

Company No: 2175448

A member company of



Customer Care

Tel: +44 1522 875500
Email: care@lincat.co.uk

Export Customers

Tel: +44 1522 875536
Email: export@lincat.co.uk

Opening Hours

Monday – Friday:
8.30am – 5pm