



## OD8006/N - Lincat Opus 800 Dual Fuel [Natural Gas] Free-standing Oven Range - 4 Burners - W 600 mm - 30.0 kW

This powerful Opus 800 dual fuel oven is built to deliver high volumes of top quality food and will withstand the rigours of even the busiest kitchen.

- ✓ Powerful 7.5kW dual concentric Burners for focused heat distribution from a fast boil to a low simmer
- ✓ Individual heavy-duty single cast iron supports, built to withstand the rigours of the busiest kitchen
- ✓ Low flue to allow use of the complete hob top
- ✓ Powerful 4kW fan assisted oven for even cooking results
- ✓ Large 3 x GN1/1 capacity oven enabling three different foods to be cooked simultaneously
- ✓ Dual Fuel Oven Ranges

### Specifications

Summary		Power and Performance	
Brand	Lincat	BTU per Hour	102,364
Range	Opus 800	Total Power kW	30.0
Power Type	Dual Fuel	Temperature Range °C	120-250
Gas Type	Natural Gas	IP Rating	IP24
Unit Type	Free-standing	Temperature Control	Mechanical
Available in UK Only	No	Rating per Hob kW	7.5
UK Warranty	2 Years Parts and Labour Warranty	Oven Rating kW	4.0
Export Warranty	Contact your local dealer		
GTIN	5056105102304		

Key Specifications		Capacity	
Number of Shelves included	3	Gastronorm Capacity	3 x GN1/1
Number of Shelf Positions	5		
Number of Hobs	4		
Shape of Hob	Square		

Weights and Dimensions		Supply Connections	
Unit Height (External) mm	912	Requires Installation	Yes
Unit Width (External) mm	600	Requires Electrical Supply	Yes
Unit Depth (External) mm	800	UK 3 Pin Plug	No
Height (Internal) mm	410	Requires Hardwiring	Yes
Width (Internal) mm	525	Electrical Supply Rating Watts	4,032
Depth (Internal) mm	530	Single Phase Amps	17.5
Shelf Dimensions Width mm	510	Single Phase Voltage	230
Shelf Dimensions Depth mm	530	Three Phase Amps	L1=8.7; L2=8.7; L3=N/A
Hob Dimensions mm	300 x 300	Three Phase Voltage	400
Net Weight Kg	155	Gas Connection BSP	1/2"
		Gas Consumption at full rate Natural m³ per Hour	2.86
		Gas Pressure Natural mbar	20
		Total heat input at full rate Natural kW	30.0
		Total heat input at full rate Natural BTU per hour	102,364

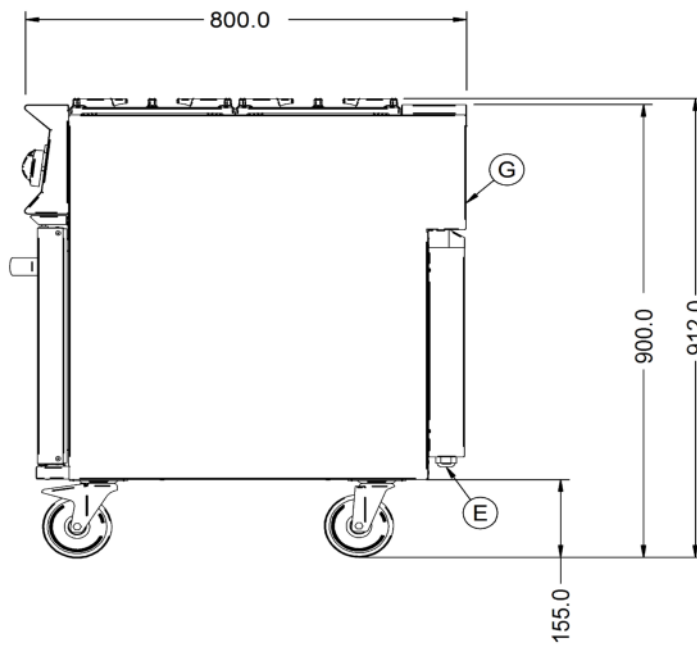
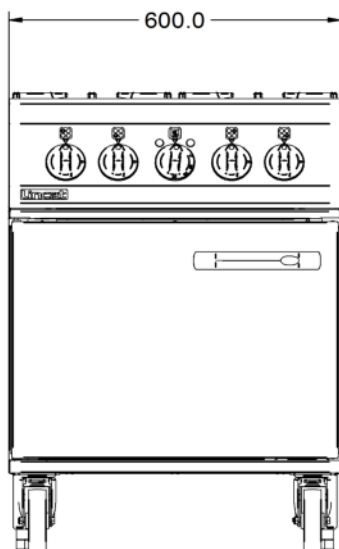
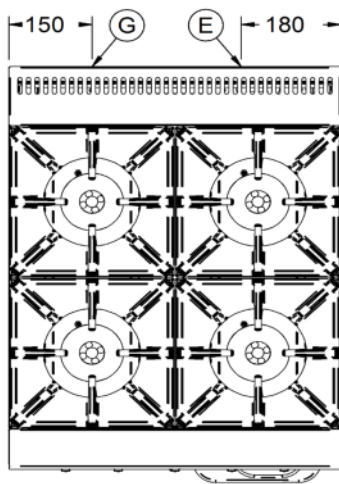
**Shipping**

Packed Weight Kg	167
Packed Height cm	105
Packed Width cm	70
Packed Depth cm	85

**Available Accessories**

LK06	OPUS 800 LEG KIT
OA8984	SPLASHBACK/SHELF - OD8006

**Technical Picture**





**Lincat Limited**

Whisby Road,  
Lincoln, LN6 3QZ,  
United Kingdom

**Company No:** 2175448

A member company of



**Customer Care**

**Tel:** +44 1522 875500  
**Email:** care@lincat.co.uk

**Export Customers**

**Tel:** +44 1522 875536  
**Email:** export@lincat.co.uk

**Opening Hours**

**Monday – Friday:**  
8.30am – 5pm